

## RZA-4XF Remote Zone Annunciator Module Product Installation Document

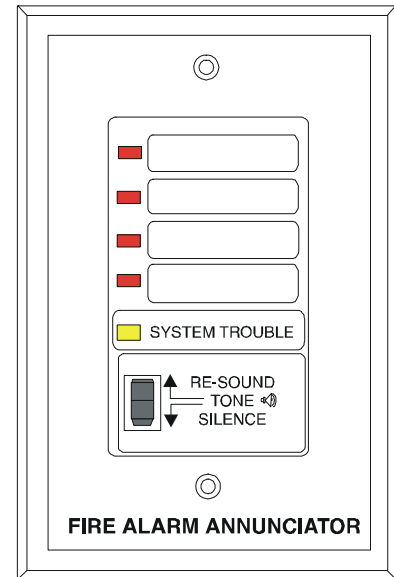
PN 15275:C 6/6/2017 17-281

### 1 RZA-4XF Remote Annunciator

The RZA-4XF Remote Annunciator mounts on a standard single-gang box, and provides LED indication of the same functions as the 4XZMF Zone Relay Module. For example, with DIP 1=ON and DIP 2=OFF:

- One Zone in Alarm (red)
- Two Zones in Alarm (red)
- Releasing Circuit 1 (red)
- Releasing Circuit 2 (red)
- System Trouble (yellow)

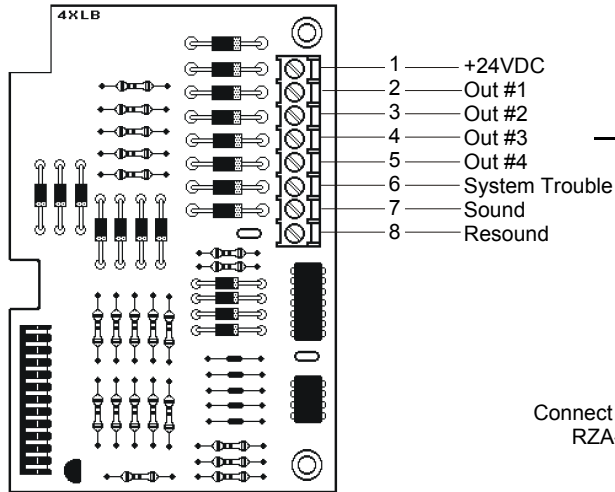
A Local Trouble Sounder and Silence Switch are also provided. All LED wiring is supervised for open conditions. Any open condition will cause the System Trouble LED to illuminate.



## 2 Installation

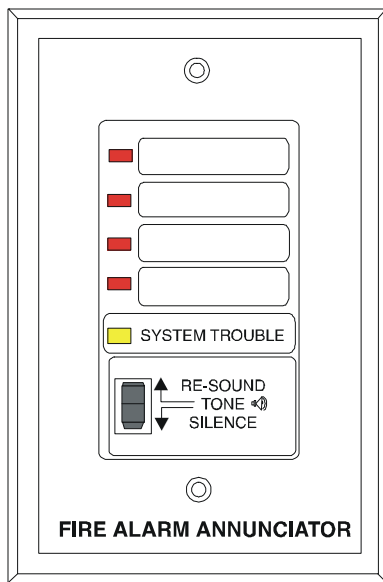
The RZA-4XF Remote Annunciator requires the use of a 4XLMF LED Interface Module. Connect the terminals as shown below.

### LED Interface Module 4XLMF

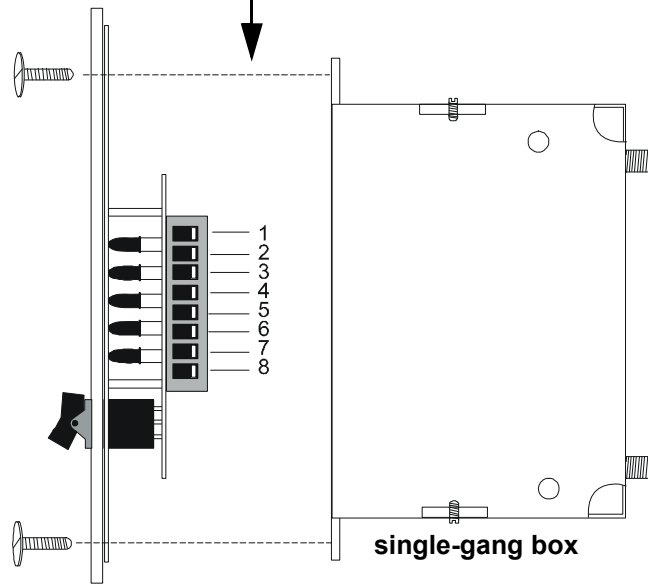


Connect to corresponding terminals on RZA-4XF Remote Annunciator

### Remote Annunciator RZA-4XF



Front View



Side View