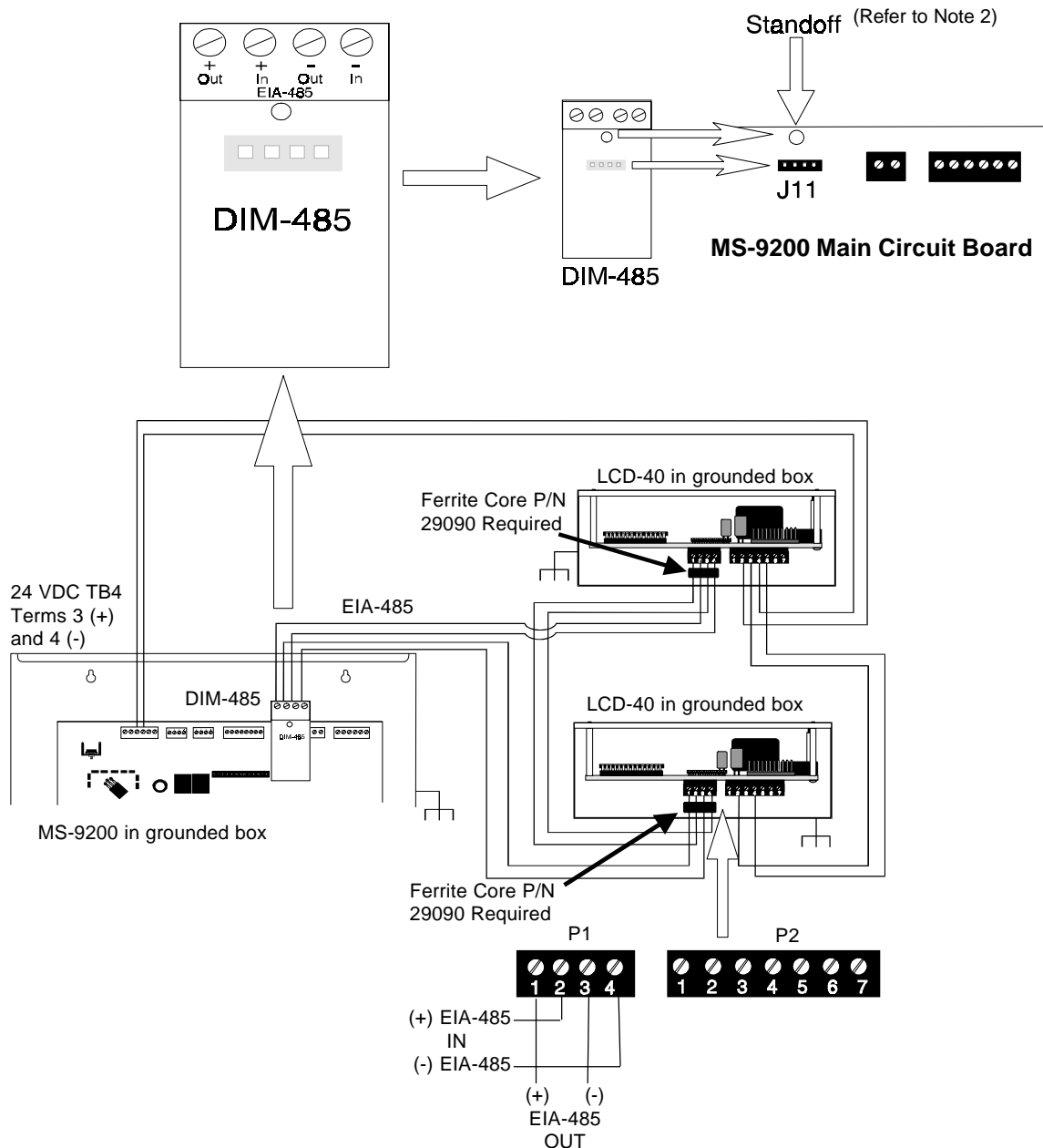


DIM-485 Product Installation Drawing

Document 50380 Rev A 10/30/95 ECN 95-458

Remove power before installing the DIM-485. Insert the plastic standoff, supplied with the DIM-485, into the hole located near the J11 connector on the top right side of the MS-9200 main circuit board. Align the connector on the DIM-485 board with J11 on the MS-9200 main circuit board and align the hole on the DIM-485 with the standoff inserted into the main circuit board. Carefully seat the DIM-485 connector on the main circuit board J11 connector and press to seat the DIM-485 on the standoff.



CAUTION! Please be certain to secure the DIM-485 module to the MS-9200 and to keep all wiring from mechanically interfering with the DIM-485.

Note:

- 1) Disconnect all power from the MS-9200 before installing and wiring the DIM-485 module.
- 2) Earlier versions of the MS-9200 main circuit board do not have a hole near connector J11, preventing insertion of the standoff.
- 3) Ferrite Core P/N 29090 is required to meet FCC Part 15 requirements if the EIA-485 wiring is not in conduit. Twisted, shielded wire is recommended for the EIA-485 communications loop.
- 4) Six conductor overall shielded wire may be used for the four EIA-485 wires and the two power wires. It is, however, strongly recommended that the power and communication wires be separate whenever possible.