

The optional FC-AAM25X Audio Amplifier Module is identical to the module provided with the factory standard panel configuration. It can be used to provide a second 25 watt speaker circuit, increasing the total speaker power to 50 watts, or it can be used as a backup amplifier. Connector J1 on the Audio Amplifier Module plugs into connector P3 located at the bottom center of the main circuit board.

**Voice Evacuation Control Panel  
FC-AAM25X Audio Amplifier Module  
Product Installation Drawing**  
Document 51873 Rev A 12/18/01 ECN 01-507

**CAUTION! Make certain all power (AC and DC) is removed before any connections are made.**

**FC-AAM25X Audio Amplifier Module installation on main circuit board (see Figure 1)**

**IMPORTANT! The FC-AAM25X Audio Amplifier Module with FCAAM25-PCB stamped on the circuit board can ONLY be installed on Main Circuit boards with FCMCB-PCB stamped on the circuit board and software version FC25502.0 or higher.**

1. For ease of access, all wiring should be connected to the terminals on the main circuit board terminal blocks TB2, TB4, TB5 and TB6 prior to installing the secondary Audio Amplifier Module.
2. Remove one mounting screw from the main circuit board and save (refer to illustration below for location).
3. Install one supplied metal standoff in location from which mounting screw was removed in step 2.
4. Install the Audio Amplifier Module by carefully aligning the amplifier's J1 connector with the P3 connector on the main circuit board. Press the Audio Amplifier Module securely into place making certain not to bend or break any connector pins.
5. Secure the Audio Amplifier Module with the supplied screws plus the screw removed in step 2. It is important that the module be secured with the metal screws in order to help protect against electrical transients.
6. Configure the Audio Amplifier for normal or backup operation by setting switch S1 on the newly installed audio amplifier:
  - (1) Position switch S1 in the 'down' position for normal operation. This adds an additional 25 watts increasing total system output to 50 watts.
  - (2) Position switch S1 in the 'up' or 'Backup On' position to configure the amplifier as a backup in the event the primary amplifier fails to operate.
7. Connect field wiring to amplifier as illustrated on the following page and fully test the system.
8. Make certain the factory installed jumpers are in place on connector P1 of the Audio Amplifier Module. Refer to Figure 1.

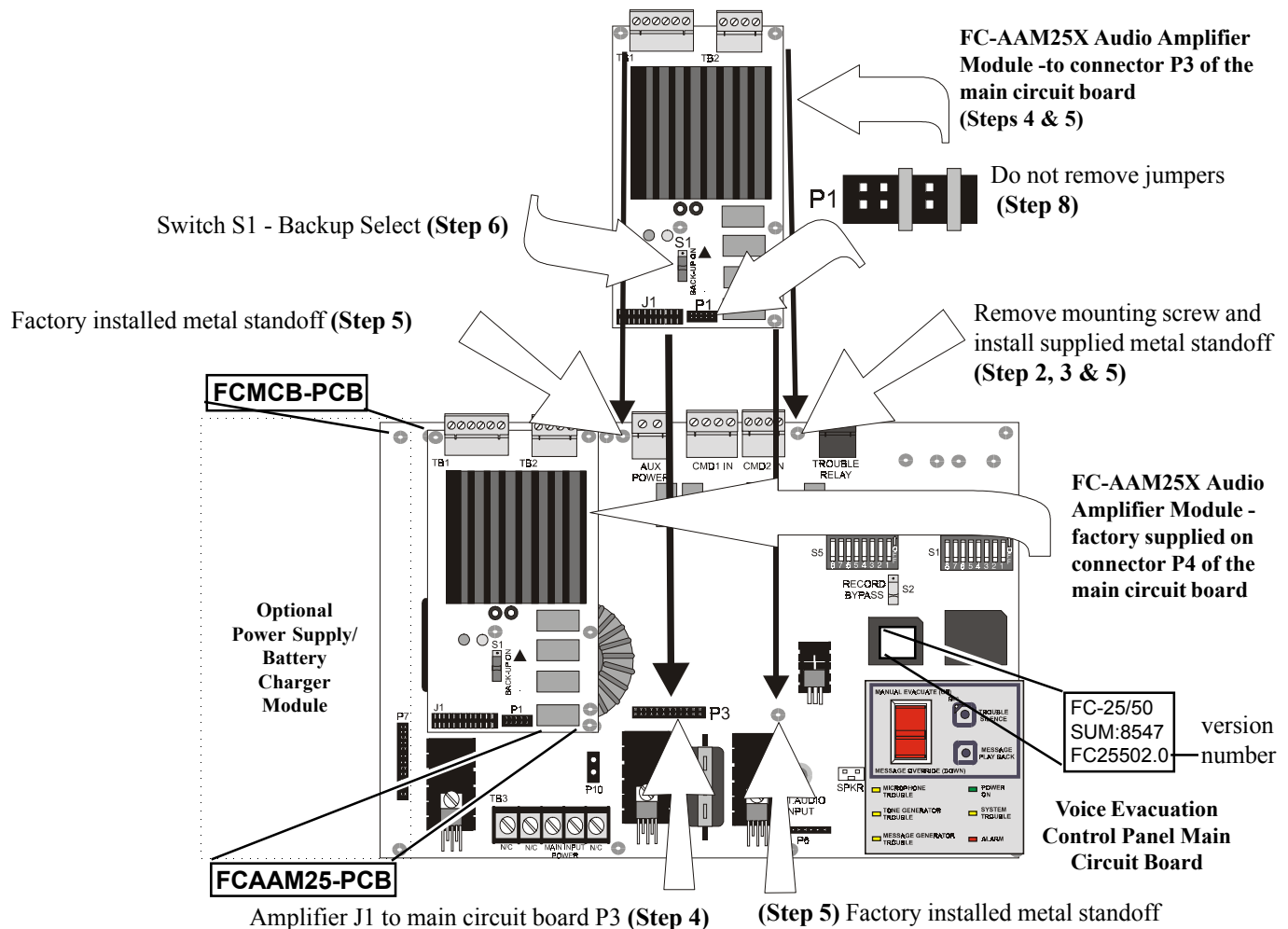


Figure 1: Main Circuit Board

**CAUTION!** Make certain all power (AC and DC) is removed before any connections are made.

**FC-AAM25X Audio Amplifier Module installation on main circuit board (see Figure 2)**

**IMPORTANT!** The FC-AAM25X Audio Amplifier Module with FCAAM25-PCB stamped on the circuit board can **ONLY** be installed on Main Circuit boards with FCSCB-PCA or higher stamped on the circuit board and software version FCDA25501.0 or higher.

Refer to the installation steps listed on page 1.

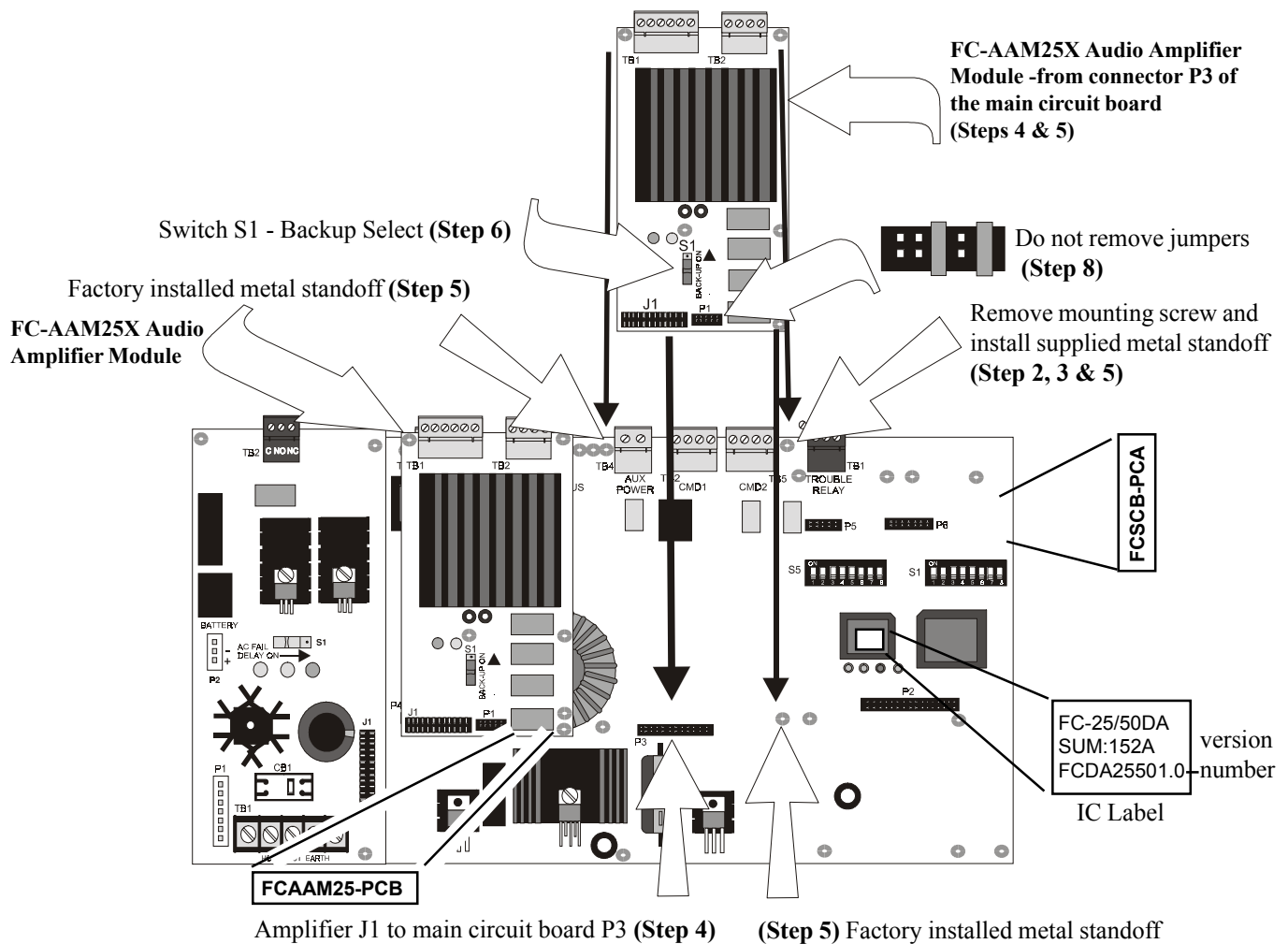
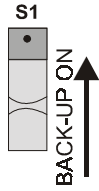


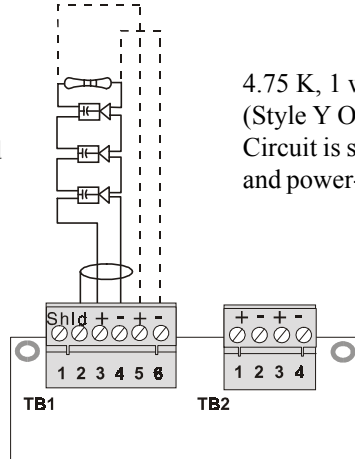
Figure 2: Main Circuit Board

4.75 K, 1 watt EOL  
(Style Y Only)  
Circuit is supervised  
and power-limited



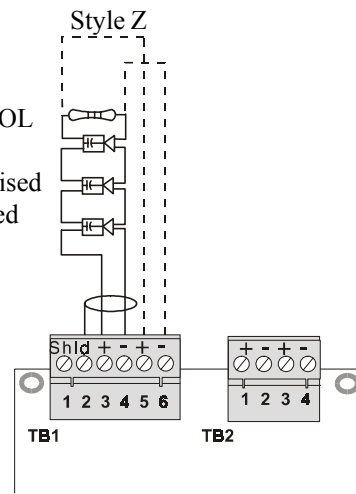
Switch S1  
in 'Down'  
position

Style Z



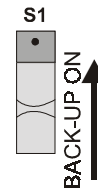
**First Amplifier  
Mounted on Main Board**

4.75 K, 1 watt EOL  
(Style Y Only)  
Circuit is supervised  
and power-limited



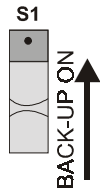
**Second Amplifier  
Mounted on Main Board**

**Second amplifier adds an additional 25  
watts, increasing system total to 50 watts**



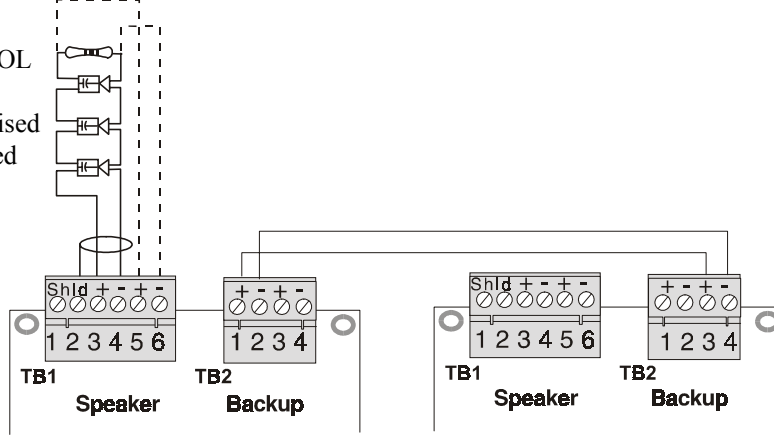
Switch S1  
in 'Down'  
position

4.75 K, 1 watt EOL  
(Style Y Only)  
Circuit is supervised  
and power-limited



Switch S1  
in 'Down'  
position

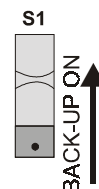
Style Z



**First Amplifier  
Mounted on Main Board**

**Optional Backup Amplifier  
Mounted on Main Board**

**Second amplifier adds a Backup in the  
event the primary amplifier fails**



Switch S1  
in 'Up'  
(Backup)  
position

Refer to Voice Evacuation Control Panel Technical Manual for additional information on wiring.