

## Keltron 95M3158 TTM-RPS

1. Terminals 7 and 8: Remote station alarm/trouble inputs.
2. Terminals 9 and 10: Sprinkler supervisory input.

### CAUTION!

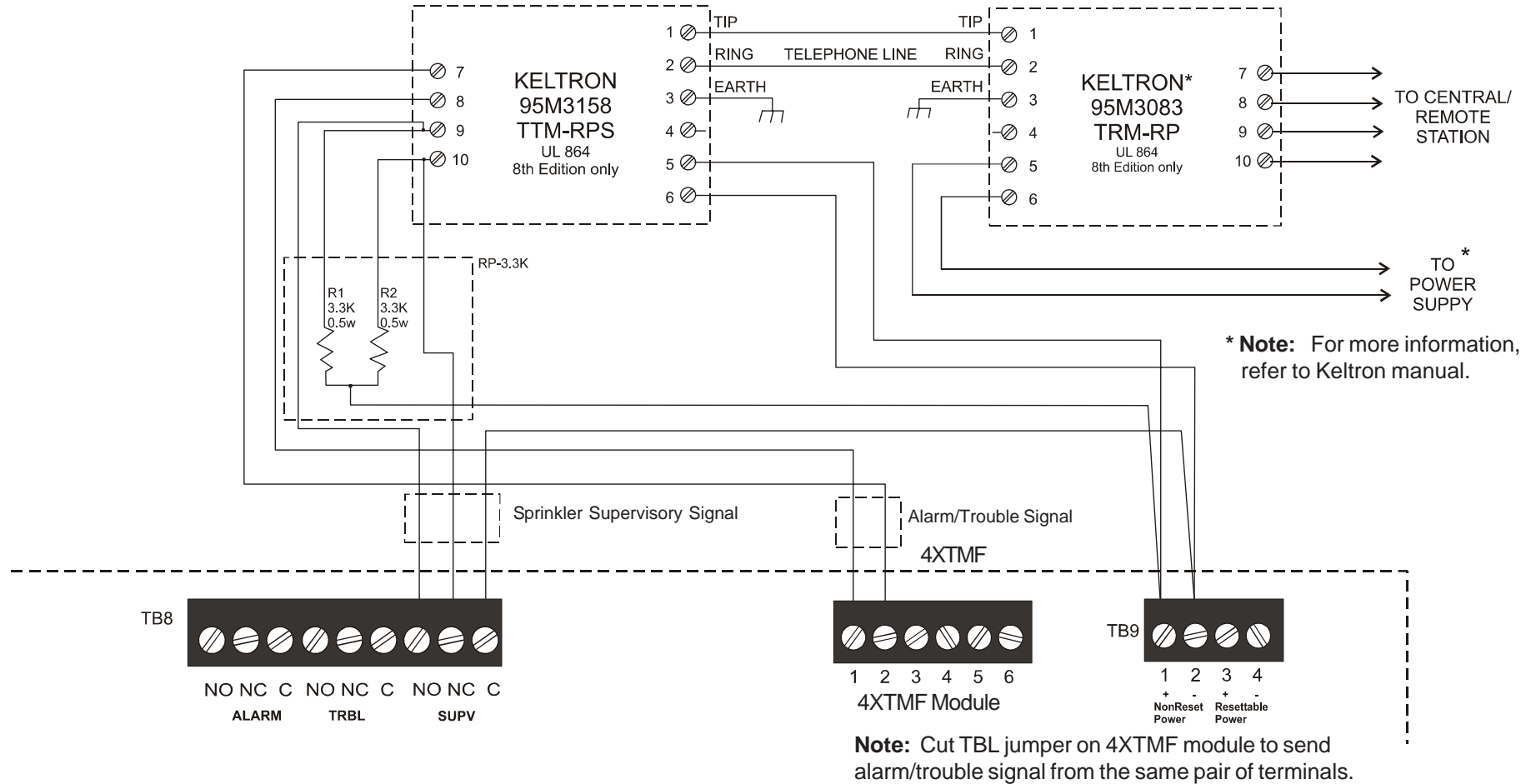
For reasons of wiring diagram clarity, terminal designations of Keltron modules are not shown in actual order. Follow Keltron manual and module markings for exact terminal locations to prevent severe module damage!

**Fire-LITE Alarms**  
by Honeywell  
**MS-5UD & MS-10UD**  
**MRP-2001 & MRP-2002**  
with Keltron RCVR/XMTR  
**Wiring Diagram**

53119 Rev. B 4/13/07 ECN 07-256

### IMPORTANT!

All connections between the FACP and Keltron modules must be made within 20 feet and enclosed within conduit or equivalently protected against mechanical injury.



## MS-5UD, MS-10UD, MRP-2001 & MRP-2002 Control Panels

(terminal blocks not shown in actual positions)