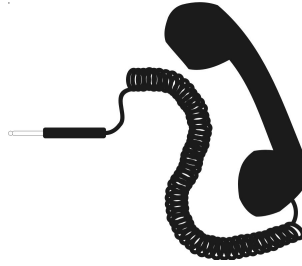


FPJ-F

Remote Phone Jack



FHS-F

Fire Fighter's Hand Set

FIRE-LITE ALARMS

by Honeywell

**FPJ-F
Firefighter Phone Jack
Product Installation Drawing**

Document 53246 Rev: B1 3/22/11 ECN 11-097

FPJ-F Installation

The FPJ-F Firefighter Phone Jack mounts to a single-gang electrical box (4 x 2-1/8 x 2-1/2) or, when an addressable mini-monitor module is installed with it, a deep single-gang electrical box (4" x 2-1/8" x 3-1/4").

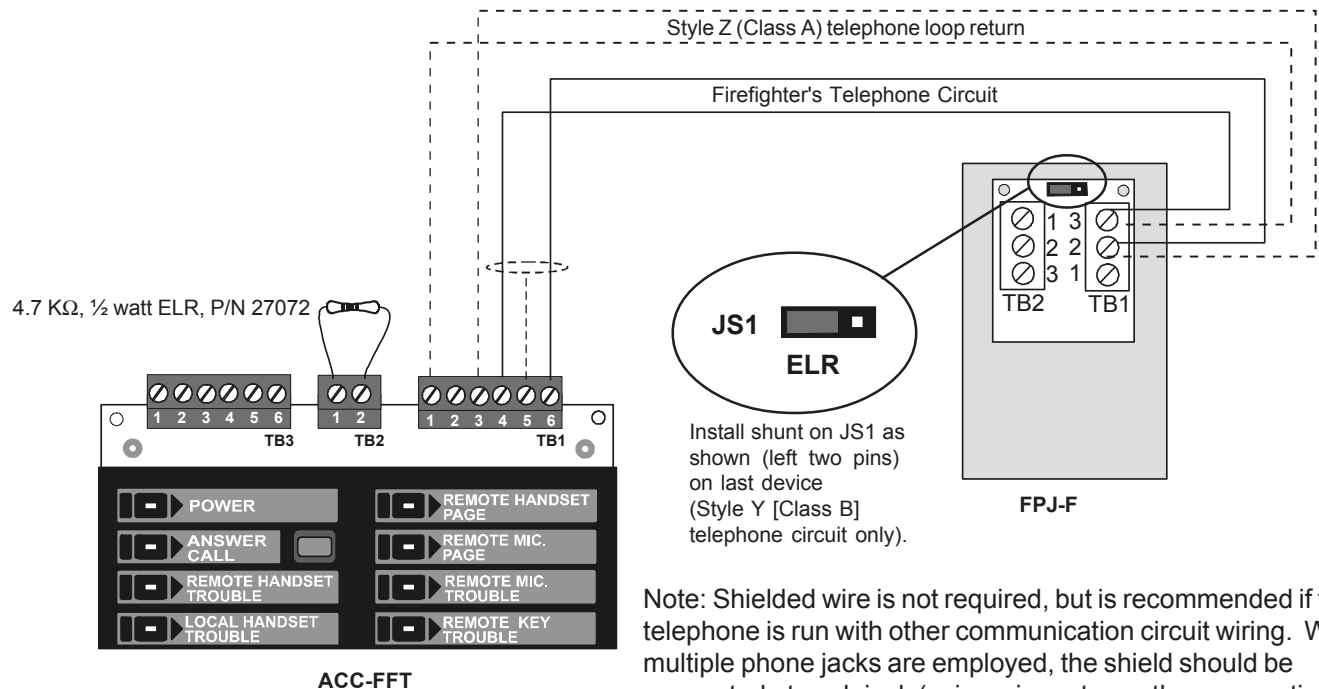
Connect the telephone audio loop between the FPJ-F and ACC-FFT as detailed in the following table and illustration below.

Telephone Loop Wiring	
ACC-FFT TB1	FPJ-F TB1
Terminal 4	Terminal 3
Terminal 5 connect shield	Terminal 1 (reserved)
Terminal 6	Terminal 2

All circuits are power-limited and supervised.

FPJ-F Operation

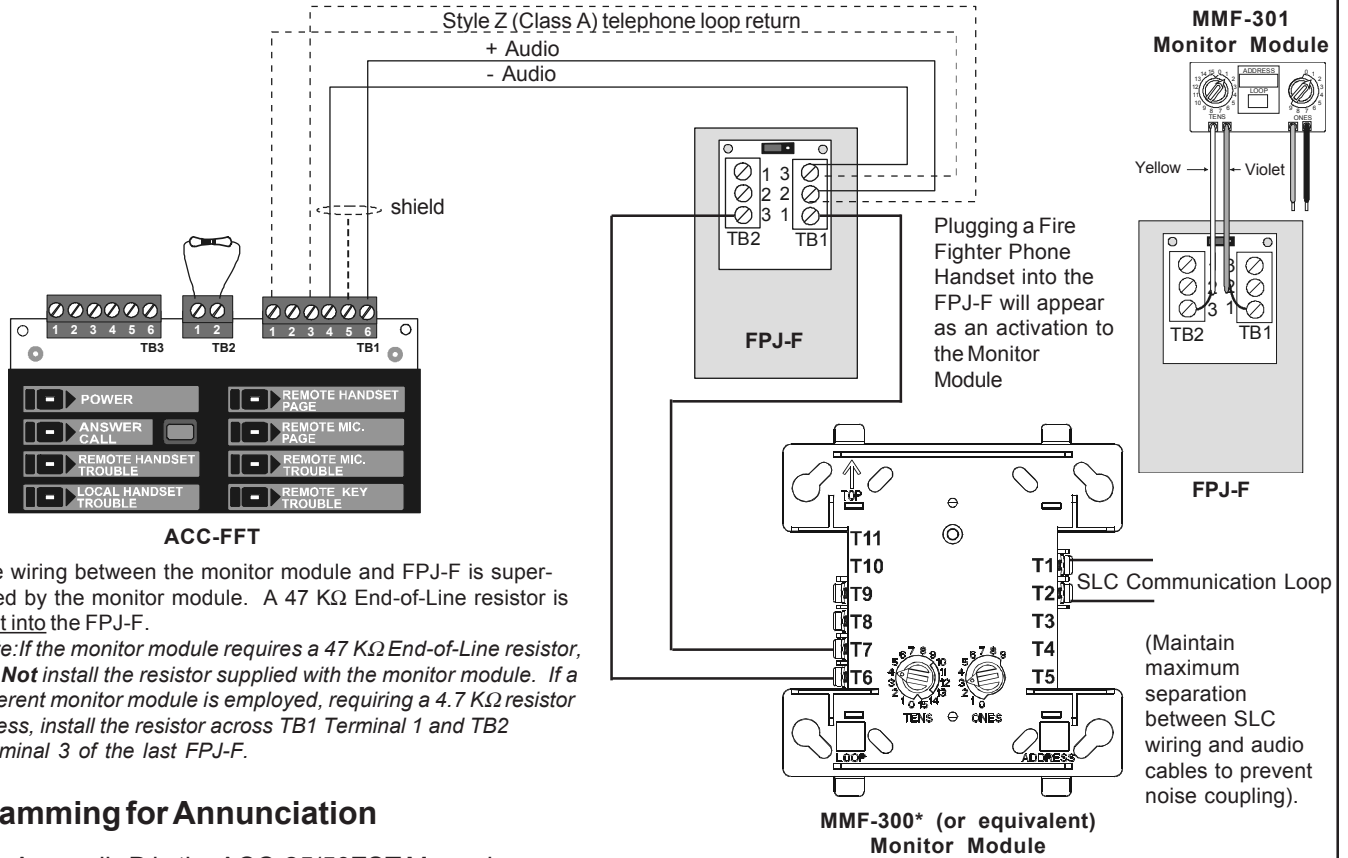
To make a call to the main panel, insert the handset plug into the FPJ-F phone jack. When call is completed, remove the handset from the jack.



Note: Shielded wire is not required, but is recommended if the telephone is run with other communication circuit wiring. Where multiple phone jacks are employed, the shield should be connected at each jack (using wire nuts or other connection method) and isolated at the last jack.

Annunciation of FPJ-F Activation (MS-9600, MS-9600LS, MS-9200UD, and MS-9200UDLS Only)

The ACC-FFT Fire Fighter Telephone Module has the capability of annunciating up to 24 FPJ-F locations or zones when the ACC-25/50ZST is used with an MS-9600, MS-9600LS, MS-9200UD, or MS-9200UDLS Fire Alarm Control Panel. In order to accomplish this, an addressable monitor module, such as the MMF-300 or MMF-301 must be connected to each FPJ-F or group of FPJ-Fs to be annunciating as illustrated below.



The wiring between the monitor module and FPJ-F is supervised by the monitor module. A 47 K Ω End-of-Line resistor is built into the FPJ-F.
 Note: If the monitor module requires a 47 K Ω End-of-Line resistor, **Do Not** install the resistor supplied with the monitor module. If a different monitor module is employed, requiring a 4.7 K Ω resistor or less, install the resistor across TB1 Terminal 1 and TB2 Terminal 3 of the last FPJ-F.

Programming for Annunciation

Refer to Appendix D in the ACC-25/50ZST Manual and the Programming Section in the appropriate Fire Alarm Control Panel Manual.

The ACC-FFT is capable of annunciating up to 24 telephone circuits. The MS-9600, MS-9600LS, MS-9200UD, or MS-9200UDLS must be programmed to allow the annunciation of these circuits. This is accomplished as follows:

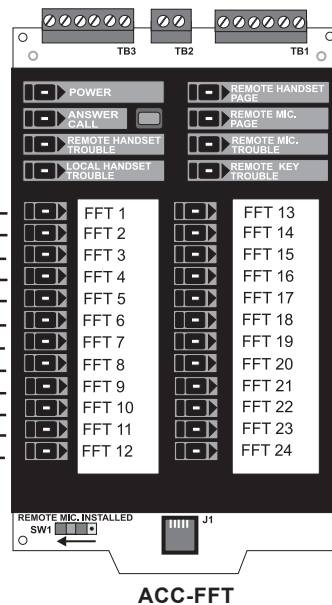
- Connect a monitor module to the desired FPJ-F as described above.
- Program the monitor module as described in the appropriate FACP manual, selecting *Telephone* for the Type Code.
- Program the monitor module to the desired Zone as described in the appropriate FACP manual.
 Note: Zones 75 through Zone 98 in the MS-9200UD and MS-9200UDLS are reserved for telephone circuit annunciation when the Telephone Type Code is selected. Programming an FPJ-F monitor module to Zone 75 in the MS-9200UD and MS-9200UDLS or Zone 135 in the MS-9600 and MS-9600LS will turn on the first LED on the ACC-FFT when that phone is activated; Zone 76/Zone 136 will cause the second LED to turn, etc. Refer to the illustration at right.

MS-9200UD/ MS-9200UDLS/ MS-9600/MS-9600LS

- Zone 75/Zone 135
- Zone 76/Zone 136
- Zone 77/Zone 137
- Zone 78/Zone 138
- Zone 79/Zone 139
- Zone 80/Zone 140
- Zone 81/Zone 141
- Zone 82/Zone 142
- Zone 83/Zone 143
- Zone 84/Zone 144
- Zone 85/Zone 145
- Zone 86/Zone 146

MS-9200UD/ MS-9200UDLS MS-9600/MS-9600LS

- Zone 87/Zone 147
- Zone 88/Zone 148
- Zone 89/Zone 149
- Zone 90/Zone 150
- Zone 91/Zone 151
- Zone 92/Zone 152
- Zone 93/Zone 153
- Zone 94/Zone 154
- Zone 95/Zone 155
- Zone 96/Zone 156
- Zone 97/Zone 157
- Zone 98/Zone 158



* If your SLC device does not match the one in this illustration, refer to the SLC manual (document #51309) devices wiring conversion charts for the legacy and newer type devices.