

AC Terminal Block Installation on FACP Product Installation Drawing

Document 53545 Rev: A 10/30/08 ECN 08-808

CAUTION! Before installing the Terminal Block, make certain that all power (AC and DC) has been removed from the panel.

AC Terminal Block Installation

The AC Terminal Block mounts to a metal bracket which, in turn, mounts to the FACP chassis. The following steps detail this installation:

1. Attach the supplied AC Terminal Block to the metal bracket using the two supplied 4-40 X 5/8 screws as illustrated in Figure 1.
2. Attach the metal bracket to the lower-left bottom of the FACP chassis, near the transformer, using the two supplied 6-32 X .37 screws as illustrated in Figure 1.

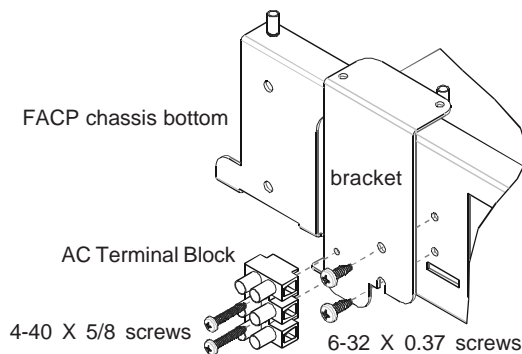


Figure 1: AC Terminal Block Installation

3. Connect the AC Power wires and the Transformer wires as illustrated in Figure 2.

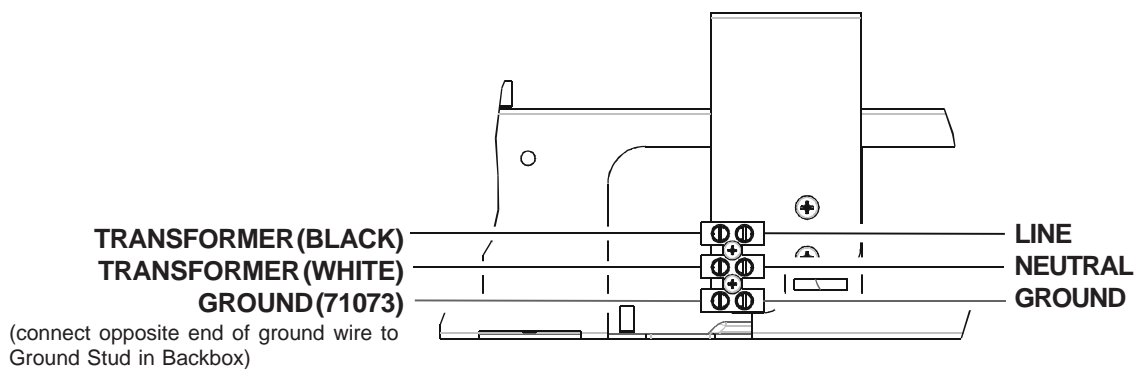


Figure 2: Wire Connections To AC Terminal Block

4. Connect ground wire (71073) ring lug to ground stud in backbox using supplied #8-32 nut.
5. Check to make certain that all wires have been securely connected and then apply power.