



by Honeywell

BG-12LO/-12LOB Manual Pull Station

(Listed for Outdoor Applications)

Patented, U.S. Patent No. Des. 428,351; 6,380,846; Other Patents Pending

Document 51378

156-2266-005

Description

The BG-12LO and BG-12LOB pull stations are non-coded, dual-action manual pull stations with a key-lock reset feature, an approved outdoor gasket, and an accompanying outdoor backbox (BG-12LOB only). They provide Fire•Lite control panels with one normally open (N/O) alarm initiating input. The BG-12LO/-12LOB meet the ADAAG controls and operating mechanisms guidelines (section 4.1.3[13]), and the ADA requirement for a 5 lb. maximum pull force to activate the pull station. Operating instructions are molded into the pull station handle along with Braille text. Molded terminal numbers are also present.

NOTE: To meet UL requirements for outdoor use, the BG-12LO pull station must be mounted to the SB-I/O backbox to create the BG-12LOB model. The BG-12LO, with the WP-10 backbox, is UL approved in retrofit applications.

Ratings

The gold plated switch contact (N/O) is sealed for reliability and rated at 0.25 A at 30 volts (AC or DC).

Installation

The supplied Outdoor Backbox (SB-I/O) is surface mounted using the incorporated mounting bosses. The backbox can be positioned to allow conduit from any side and the pull station will mount in any position. Use the (4) screws provided to mount the pull station to the backbox.

Operation

To activate the dual-action pull station, push in and pull down on the handle. The word 'ACTIVATED' appears after the handle is pulled down. This will remain until the pull station is reset.

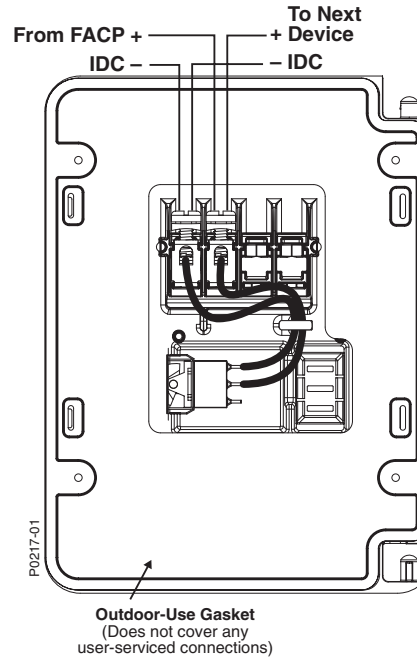
The pull station includes one Single Pole, Single Throw (SPST) Normally Open (N/O) switch which closes upon activation of the pull station.

Resetting the Pull Station

1. Insert the key into the lock and rotate 1/4 turn counterclockwise.
2. Open the door until the handle returns to normal.
3. Close and lock the door.

NOTE: Closing the door automatically resets the switch to the 'Normal' position. Opening the door will not activate or deactivate the alarm switch.

Wiring

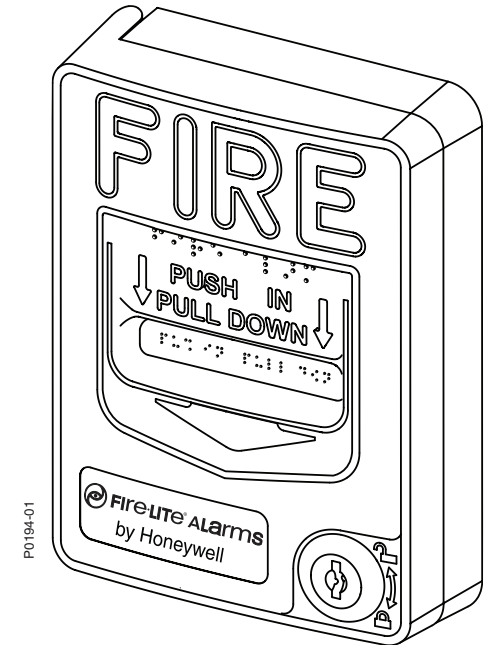


WARNING! Do not loop wiring under any terminals. Break wire run to maintain IDC supervision.

BG-12LO/-12LOB Manual Pull Station

Document 51378

156-2266-005



CAUTION! Do not detach the door of the pull station during installation. The door of the pull station cannot be reattached to the backplate after the backplate has already been installed onto an electrical box.

CAUTION!

Install the Fire•Lite BG-12LO/-12LOB pull stations in accordance with these instructions, applicable NFPA standards, national and local Fire and Electrical codes and the requirements of the AHJ (Authority Having Jurisdiction). Regular testing of the devices should be conducted in accordance with the appropriate NFPA standards. Failure to follow these directions may result in failure of the device to report an alarm condition. Fire•Lite is not responsible for devices that have been improperly installed, tested or maintained.

ADA Compliance

For ADA compliance, if the clear floor space only allows forward approach to an object, the maximum forward reach height allowed is 48 inches (121.92 cm). If the clear floor space allows parallel approach by a person in a wheelchair, the maximum side reach allowed is 54 inches (137.16 cm).