

## W-MMF Wireless Monitor Module

### SPECIFICATIONS

Maximum Operating Voltage:	3.3 VDC
Maximum Current Draw:	5.0 mA (LED on)
Average Operating Current:	210uA, 3.9k EOL
EOL Resistance:	3.9K Ohms
Maximum IDC Wiring Resistance:	10 Ohms
Maximum IDC Voltage:	3.2 Volts
Maximum Average IDC Current:	5.5µA
Maximum Transmit RF Power:	17dBm
Radio Frequency Range:	902-928 MHz
Temperature Range:	32°F to 120°F (0°C to 49°C)
Humidity:	10% to 93% Non-condensing
Battery Type:	4 Panasonic CR123A or 4 Duracell DL123A
Battery Life:	1 year minimum
Battery Replacement:	Upon TROUBLE BATTERY LOW display and/or during annual maintenance
Dimensions:	4¼in. H x 4¼in. W x 1½in. D
Accessories:	SMB500 Electrical Box (preferred mounting option)

### BEFORE INSTALLING

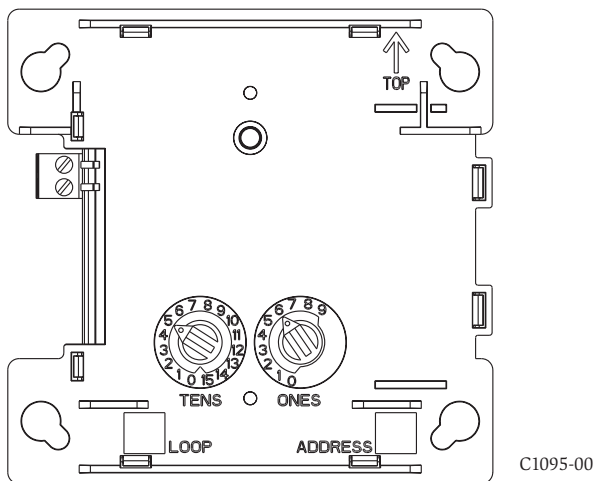
This information is included as a quick reference installation guide. Refer to the control panel installation manual and the SLC Wireless Gateway Manual for detailed system information. If the modules will be installed in an existing operational system, inform the operator and local authority that the system will be temporarily out of service. Disconnect power to the control panel before installing the modules.

NOTICE: This manual should be left with the owner/user of this equipment.

### GENERAL DESCRIPTION

The W-MMF Monitor Module is intended for use with a wireless gateway or wireless fire alarm control panel (FACP) to interface with a device having contacts used to signal status conditions. The input to the monitor module is non-latching and does not require a reset. The device communicates through a robust, bi-directional mesh network to the gateway and/or FACP. Rotary decade switches are provided for setting the module's address. The module has a panel controlled LED indicator. (Figure 1)

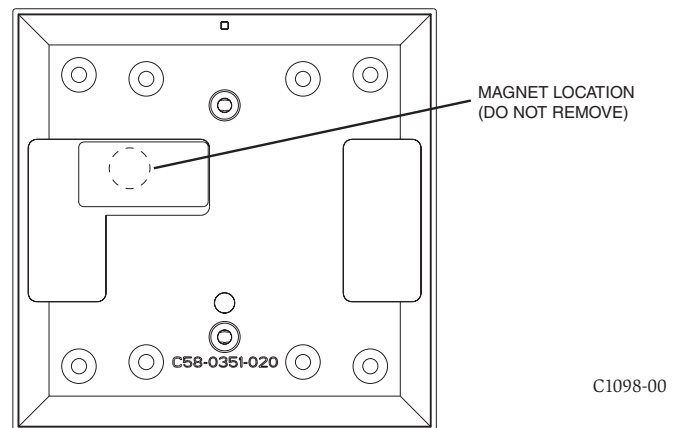
**FIGURE 1. CONTROLS AND INDICATORS:**



### FACEPLATE

The faceplate includes a magnet for activation and tamper resistance (Figure 2). The faceplate magnet activates communication to the panel, therefore, the faceplate must be installed for the module to work properly. The magnet also activates a supervisory tamper fault at the panel if the nameplate is removed. Do NOT remove this magnet. The faceplate for a wireless module CANNOT be replaced with the faceplate of a standard wired module.

**FIGURE 2. FACEPLATE INTERIOR:**



### BATTERY REPLACEMENT

Low battery levels on the wireless devices are displayed as a trouble in an annunciator. Therefore when the message "TROUBLE BATTERY LOW" is displayed, replace the battery in the device. This message is an indication that approximately one week of battery life remains.

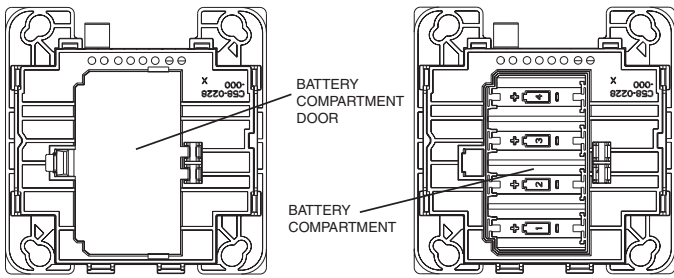
### COMPATIBILITY REQUIREMENTS

To ensure proper operation, this module shall be connected to a compatible Fire-Lite system control panel (list available from Fire-Lite).

To replace the batteries in a wireless device use the following steps:

1. Have 4 CR123A (or DL123A) batteries available
2. The system allows 200 seconds to replace the batteries before the device is noted as missing and will activate the Rescue Mode within the wireless system.
3. Remove the faceplate from the module.
4. Open the battery compartment refer to Figure 3.
5. Remove the used batteries and replace with new batteries. The battery compartment is designed such that the batteries can only align in the appropriate direction. Do not force the batteries into the openings.
6. Replace the battery compartment cover.
7. Replace the faceplate.

**FIGURE 3. BATTERY COMPARTMENT:**



C2002-00

**MOUNTING**

The W-MMF mounts directly to an SMB500 electrical box (see Figure 4). To avoid interference with the wireless network metal electrical boxes are NOT recommended. Non-metal surface mounted electrical boxes (SMB500) are available from Fire-Lite. If not using an SMB500, the minimum mounting opening dimensions for the W-MMF are 4in. X 3¾in. x 1½in. deep.

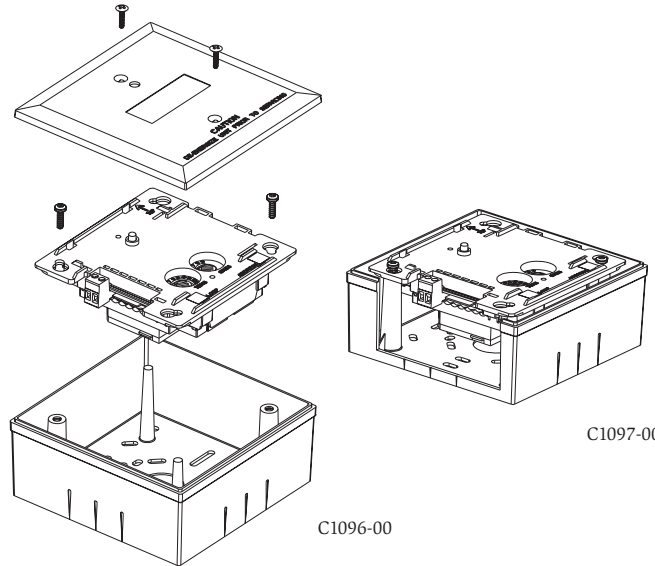
**WIRING**

NOTE: All wiring must conform to applicable local codes, ordinances, and regulations. This module is intended for power limited wiring only.

1. Install module wiring in accordance with the job drawings and appropriate wiring diagrams.
2. Set the address on the module per job drawings.
3. Secure module to electrical box (supplied by installer), as shown in Figure 3.

NOTE: W-MMF must be within 3 feet of monitored device

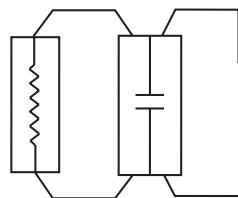
**FIGURE 4. MODULE MOUNTING:**



**FIGURE 5. TYPICAL MONITORING CONFIGURATION:**

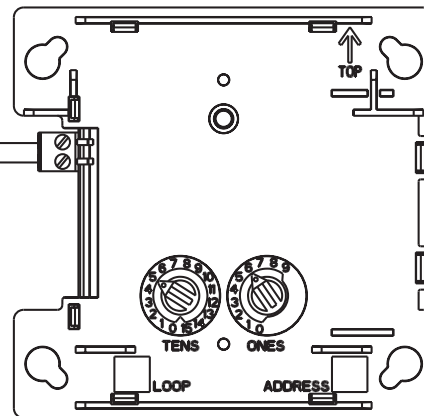
ONLY ONE UL LISTED CONTACT CLOSURE MAY BE USED

3.9K EOL RESISTOR A2143-10



POWER LIMITED 3.1 VDC MAX

WIRELESS MONITOR MODULE



INSTALL CONTACT CLOSURE DEVICES PER MANUFACTURER'S INSTALLATION INSTRUCTIONS

W-MMF MUST BE WITHIN 3 FEET OF MONITORED DEVICE

C1099-02

**FCC STATEMENT**

This device complies with part 15 of the FCC Rules. Operation is subject to the following two conditions: (1) This device may not cause harmful interference, and (2) this device must accept any interference received, including interference that may cause undesired operation.

NOTE: This equipment has been tested and found to comply with the limits for a Class B digital device, pursuant to Part 15 of the FCC Rules. These limits are designed to provide reasonable protection against harmful interference in a residential installation. This equipment generates, uses and can radiate radio frequency energy and, if not installed and used in accordance with the instructions, may cause harmful interference to radio communications. However, there is no guarantee that interference will not occur in a particular installation. If this equipment does cause harmful interference to radio or television reception, which can be determined by turning the equipment off and on, the user is encouraged to try to correct the interference by one or more of the following measures:

- Reorient or relocate the receiving antenna.
- Increase the separation between the equipment and receiver.
- Connect the equipment into an outlet on a circuit different from that to which the receiver is connected.
- Consult the dealer or an experienced radio/TV technician for help.