

## I300-6 Six Fault Isolator Module

### SPECIFICATIONS

Normal Operating Voltage:	15-32VDC
Stand-By Current:	2.7 mA
Maximum Current Draw:	102 mA
Temperature Range:	32°F to 120°F (0°C to 49°C)
Humidity:	10 to 93% Non-condensing
Dimensions:	6.8"H × 5.8"W × 1.0"D
Accessories:	CHS-6 Chassis; BB-25 Cabinet; BB-XP Cabinet; CAB-3 Series Cabinets; CAB-4 Series Cabinets
Wire Gauge:	12-18 AWG

### BEFORE INSTALLING

If the modules will be installed in an existing operational system, inform the operator and local authority that the system will be temporarily out of service. Disconnect the power to the control panel before installing the modules. This system contains static sensitive components. Always ground yourself with a proper wrist strap before handling any circuits so that static charges are removed from the body. The housing cabinet should be metallic and suitably grounded.

NOTICE: This manual should be left with the owner/user of this equipment.

### GENERAL DESCRIPTION

The I300-6 Six Fault Isolator Module provides six equivalent circuits that will allow a portion of the communications loop to continue operating when a short circuit occurs on that loop. An amber LED indicator will blink in the normal state for each of the six inputs and will latch on during a short circuit condition. The module will automatically restore the communications loop to normal condition when the short circuit is removed.

### CONTENTS INCLUDE:

- (6) 1 × 4 Terminal Blocks
- (2) 1 ¼" (32mm) Stand offs
- (4) Machine Screws
- (2) Nuts

### COMPATIBILITY REQUIREMENTS

To ensure proper operation, this module shall be connected to a compatible FireLite system control panel.

### COMPONENTS

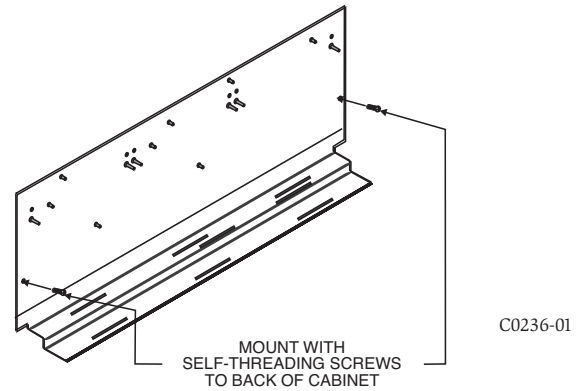
Following are descriptions of the I300-6 mounting frameworks. There are two mounting options for I300-6 modules:

- Up to six I300-6 modules can be installed on a CHS-6 in a CAB-3, CAB-4 or BB-25 cabinet
- One or two I300-6 modules can be installed in a BB-XP cabinet

### Chassis

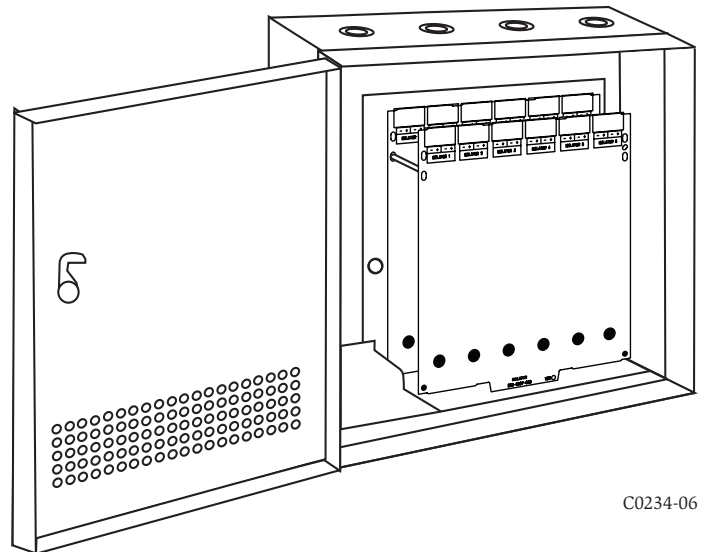
The CHS-6 chassis is used to mount I300-6 modules in a BB-25, CAB-3 or CAB-4 Series cabinet. It accommodates up to six I300-6 modules in a single cabinet row three modules wide and two modules deep.

**FIGURE 1. CHS-6 CHASSIS:**



The BB-XP cabinet has a built-in chassis that will accommodate one or two I300-6 modules.

**FIGURE 2. BB-XP CABINET:**



The front I300-6 module positions of each chassis are offset below the rear I300-6 module positions so that all of the status indicators are visible.

### Cabinets

A BB-25, CAB-3 or CAB-4 Series cabinet will house the CHS-6 chassis with up to six I300-6 modules installed on it. Refer to cabinet installation documents for dimensions.

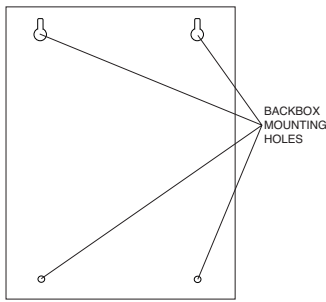
The BB-XP cabinet houses one or two I300-6 modules on the internal chassis that is part of the cabinet. Refer to cabinet installation documents for dimensions.

**INSTALLATION STEPS**

**1. Cabinet Mounting**

In a clean, dry area, mount the backbox using the four holes provided in the back surface of the cabinet.

**FIGURE 3. TYPICAL MOUNTING HOLE LOCATIONS:**

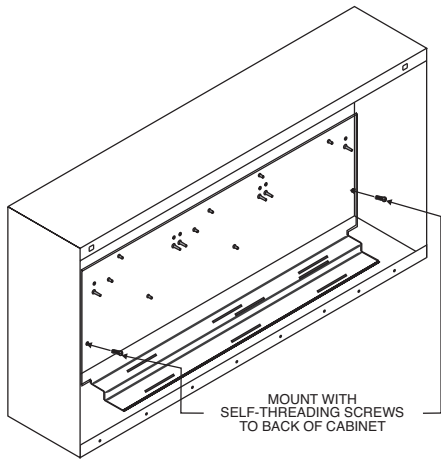


C0235-00

**2. Chassis Installation**

The CHS-6 chassis is mounted in the BB-25, CAB-3 or CAB-4 Series cabinets. It is shipped with two self-threading screws, which are used to fasten the chassis to the back wall of the cabinet (see Figure 4).

**FIGURE 4: MOUNTING THE CHS-6 CHASSIS**



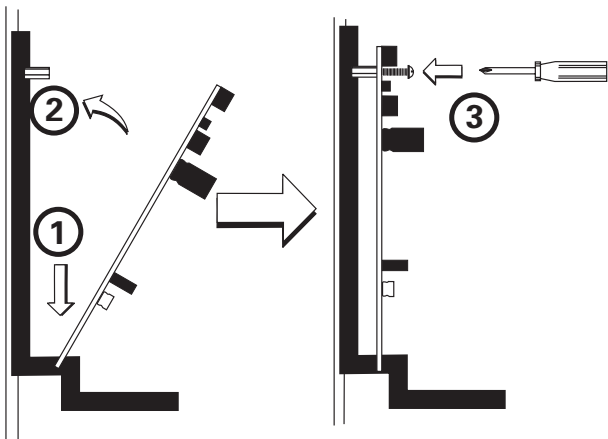
C0236-00

The BB-XP cabinet comes with the chassis already installed, so no mounting is necessary.

**3. Module Installation**

There are two methods for installing a module in the rear position of a chassis. Method one is for installation of a rear module only, when no module will be installed in front of it. Refer to Figure 5 for instructions. Method two is for installation of a rear module when another module will be installed in the chassis position in front of it. Refer to Figures 6a and 6b for method two. All necessary screws and standoffs are supplied with the modules.

**FIGURE 5. INSTALLATION OF REAR MODULE ONLY, METHOD ONE:**



C0249-00

Step 1: Insert the bottom of the I300-6 module down into a rear slot on the chassis.

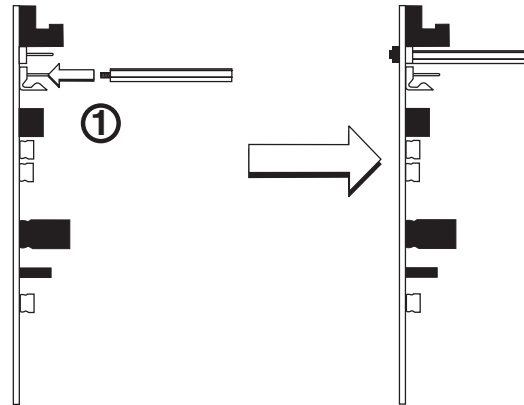
Step 2: Carefully pivot the upper edge of the board back towards the back of the chassis until it touches the two standoffs.

Step 3: Align two 4-40 screws with the two standoffs and tighten.

Step 4: Wire the modules according to the instructions in this manual.

The steps in Figures 6A - 6C describe and illustrate module installation when the rear chassis position and the position in front of it will be filled. Front position installation is possible only if the rear position is filled with a module.

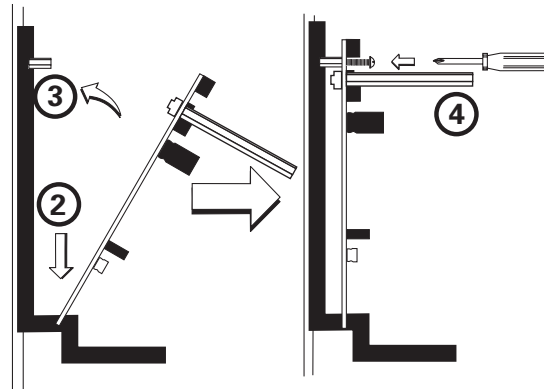
**FIGURE 6A. INSTALLATION OF I300-6 MODULE IN A REAR CHASSIS POSITION, METHOD TWO:**



C0225-01

Step 1: Install two long standoffs in the lower mounting holes using two 4-40 nuts as shown.

**FIGURE 6B.**



C0249-01

Step 2: Insert the bottom of the I300-6 module down into a rear slot on the chassis.

Step 3: Carefully pivot the upper edge of the board back towards the back of the chassis until it touches the two standoffs on the board.

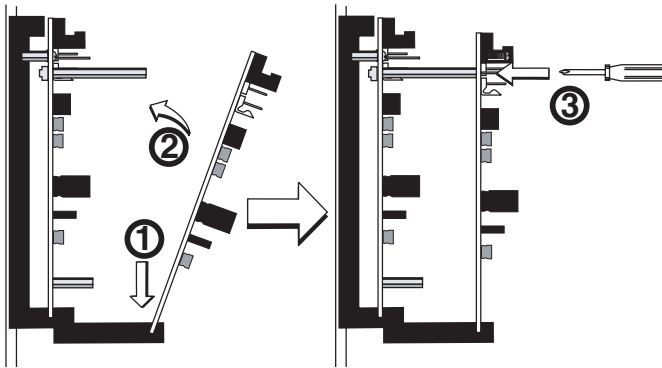
Step 4: Align two 4-40 screws with the two standoffs on the chassis and tighten.

Step 5: Wire the modules according to the instructions in this manual.

**FIGURE 6C. INSTALLATION OF I300-6 MODULE IN FRONT CHASSIS**

C0226-01

## POSITION:

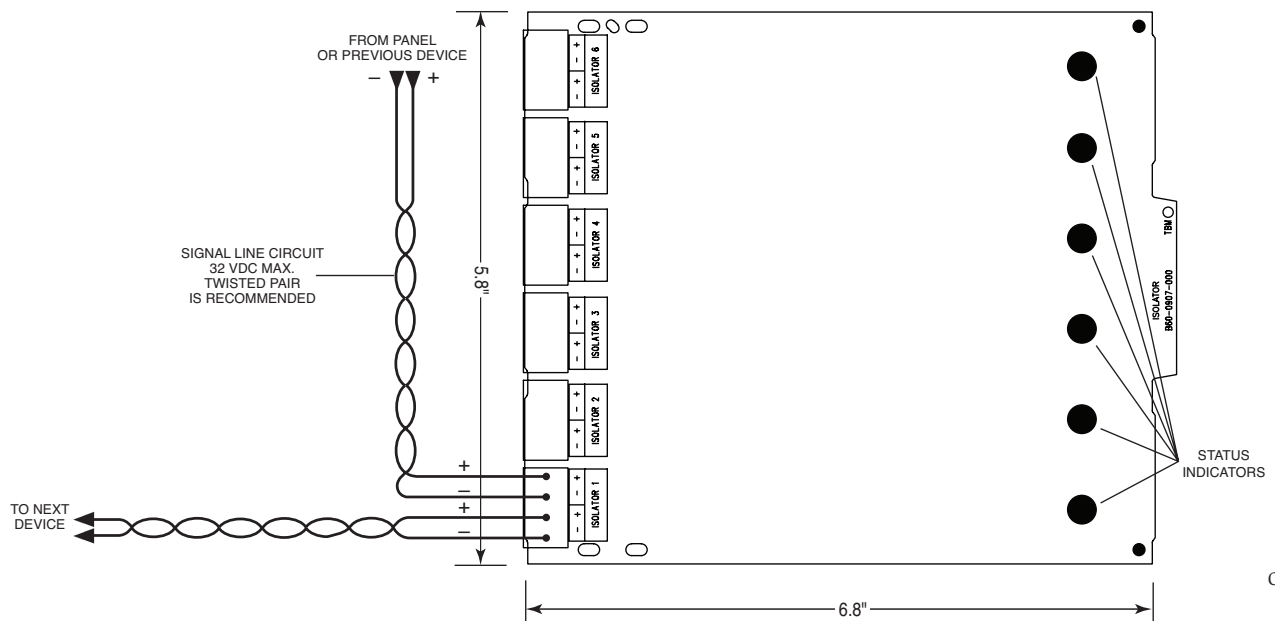


- Step 1: Insert the bottom edge of the I300-6 module down into a front slot of the chassis.
- Step 2: Carefully pivot the upper edge of the board towards the back of the chassis until it touches the 1 1/4" (31.75mm) standoffs installed on the rear module.
- Step 3: Align two 4-40 screws with the two standoffs and tighten.
- Step 4: Wire the modules according to the instructions in this manual.

## WIRING

1. Install module wiring in accordance with the job drawings and appropriate wiring diagrams.
2. Make electrical connections by stripping approximately 1/4" (6.35mm) of insulation from the end of the wire sliding the bare end of the wire under the clamping plate, and tightening the clamping plate screw.

**FIGURE 7. WIRING AND PROGRAMMING THE I300-6 MODULE:**



C0205-05

## PROGRAMMING

The I300-6 module operates with the following Fire Alarm Control Panels:

- MS-9050UD
- MS-9200UDLS
- MS-9600LS
- MS-9600UDLS

---

**FCC STATEMENT**

This device complies with part 15 of the FCC Rules. Operation is subject to the following two conditions: (1) This device may not cause harmful interference, and (2) this device must accept any interference received, including interference that may cause undesired operation.

NOTE: This equipment has been tested and found to comply with the limits for a Class B digital device, pursuant to Part 15 of the FCC Rules. These limits are designed to provide reasonable protection against harmful interference in a residential installation. This equipment generates, uses and can radiate radio frequency energy and, if not installed and used in accordance with the instructions, may cause harmful interference to radio communications. However, there is no guarantee that interference will not occur in a particular installation. If this equipment does cause harmful interference to radio or television reception, which can be determined by turning the equipment off and on, the user is encouraged to try to correct the interference by one or more of the following measures:

- Reorient or relocate the receiving antenna.
- Increase the separation between the equipment and receiver.
- Connect the equipment into an outlet on a circuit different from that to which the receiver is connected.
- Consult the dealer or an experienced radio/TV technician for help.