

ECC-MICROPHONE **Product Installation Document**

PN LS10075-000FL-E:A 4/18/2013 13-368

The ECC-MICROPHONE is a replacement microphone for Fire•Lite emergency voice evacuation products.



WARNING: DISCONNECT ALL SOURCES OF POWER BEFORE SERVICING.

Installation

1. On the existing microphone, measure the distance of the cable from the header to the bushing on the back of the dress panel.

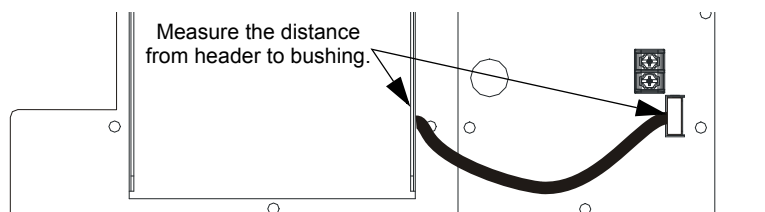


Figure 1 Measure Length of Cable

2. Disconnect the existing microphone. Loosen the bushing and pull the cable out through the keyhole slot.
3. Insert the header of the ECC-MICROPHONE through the keyhole on the front of the dress panel.
4. Close bushing around the cable on the front side of the dress panel at the same distance measured in step 1. Hold the bushing closed with a pair of 6" locking needle-nose pliers..

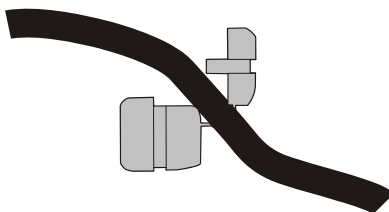


Figure 2 Close Bushing Around Cable

5. Using needle-nose pliers, push the bushing through the keyhole of the dress panel.

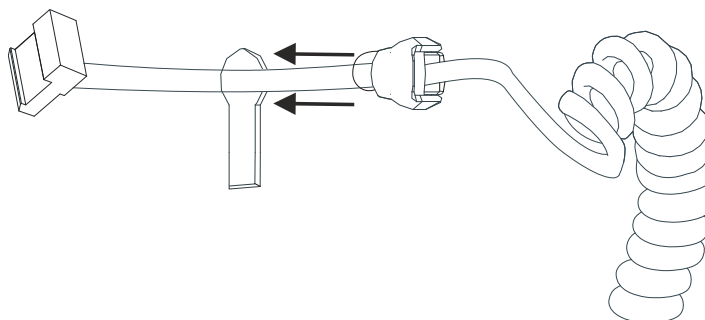


Figure 3 Insert Bushing into Keyhole

6. Check the backside of the dress panel to ensure the bushing fits tightly in place.
7. Plug microphone header into the proper connector/terminal block on the circuit board.