

Keltron 95M3158 TTM-RPS

1. Terminals 7 and 8: Remote station alarm/trouble inputs.
2. Terminals 9 and 10: Sprinkler supervisory input.

CAUTION!

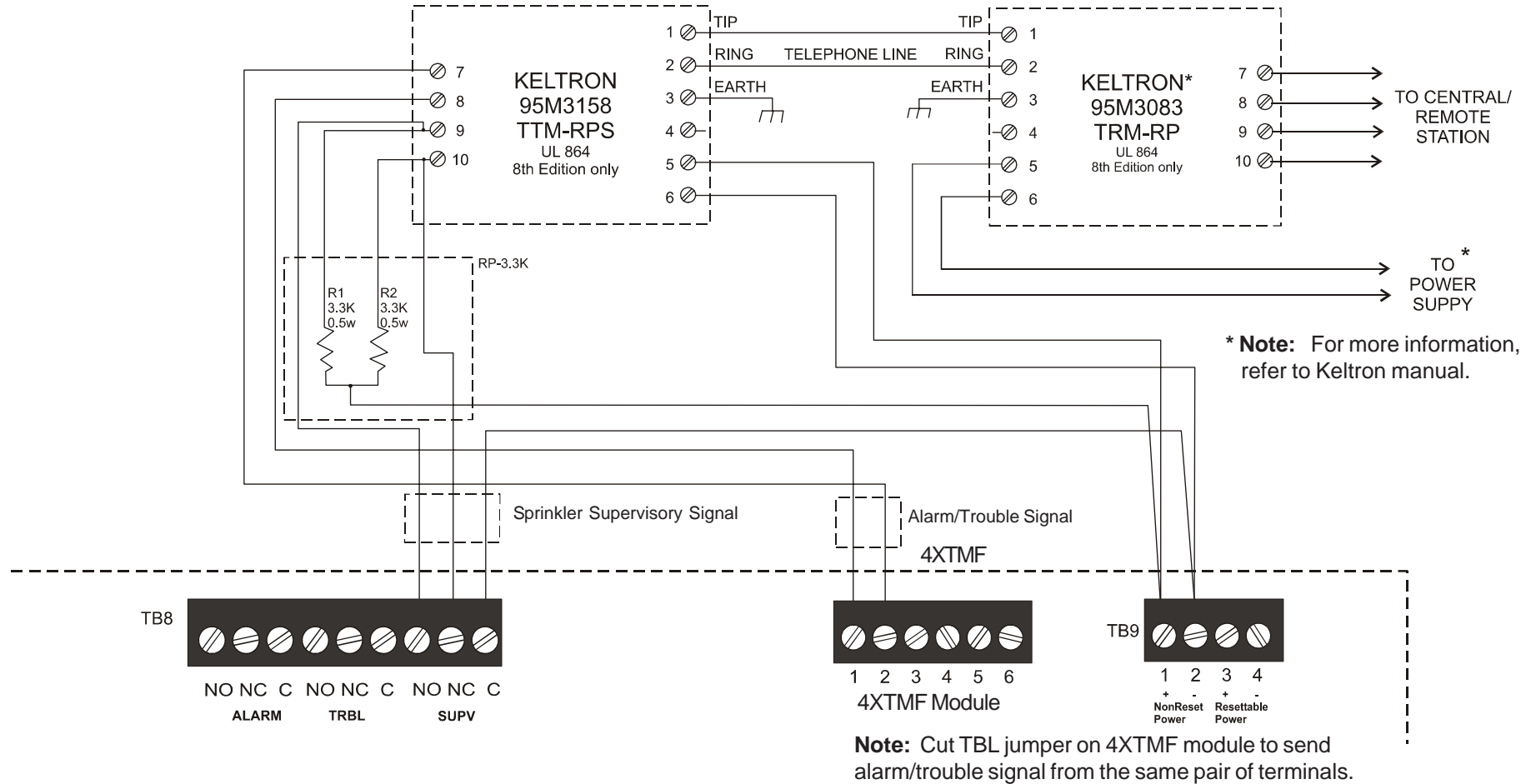
For reasons of wiring diagram clarity, terminal designations of Keltron modules are not shown in actual order. Follow Keltron manual and module markings for exact terminal locations to prevent severe module damage!

Fire-LITE Alarms
by Honeywell
MS-5UD & MS-10UD
MRP-2001 & MRP-2002
with Keltron RCVR/XMTR
Wiring Diagram

53119 Rev. B 4/13/07 ECN 07-256

IMPORTANT!

All connections between the FACP and Keltron modules must be made within 20 feet and enclosed within conduit or equivalently protected against mechanical injury.



* **Note:** For more information, refer to Keltron manual.

Note: Cut TBL jumper on 4XTMF module to send alarm/trouble signal from the same pair of terminals.

MS-5UD, MS-10UD, MRP-2001 & MRP-2002 Control Panels

(terminal blocks not shown in actual positions)