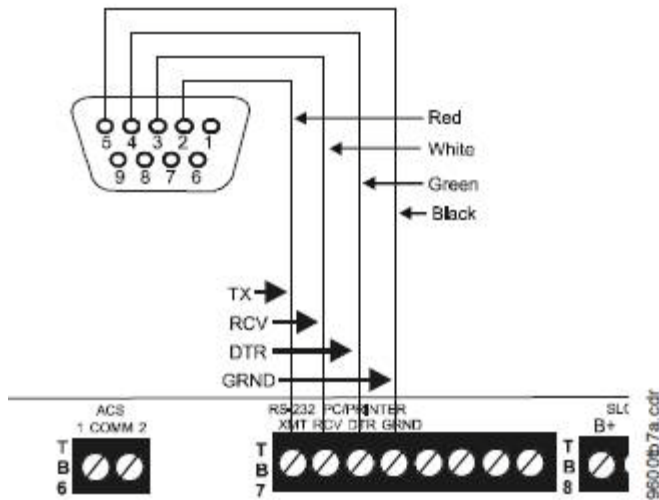


To update the firmware on the MS-9600LS or MS-9600UDLS panel two softwares are required; the PPU Wizard application for installing the firmware [PPUWizard34B1.zip](#) and the firmware file [9600LS43B3.zip](#). The cable required is a serial upload/download cable (p/n PRT/PK) the diagram below shows the proper connection to the panel as well as the DB9 configuration should you wish to make your own cable.



MS-9600, MS-9600LS & MS-9600UDLS

Technical Bulletin FLTB06-09-4: How to Use PPU Wizard to Upgrade (Flash) Addressable Panel Firmware
http://www.firelite.com/support/software/FLTB-06-09-04_Using_PPU.pdf