

**FIRE-LITE® Alarms**  
**MS-4 Basic System Connections**

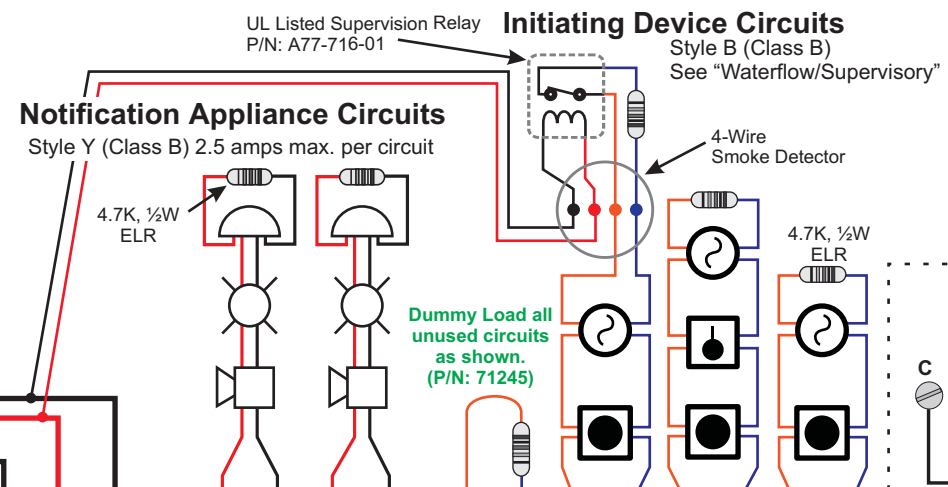
**Color Legend**

- (text) Installation Information
- Operating Power
- Initiating Device Circuit

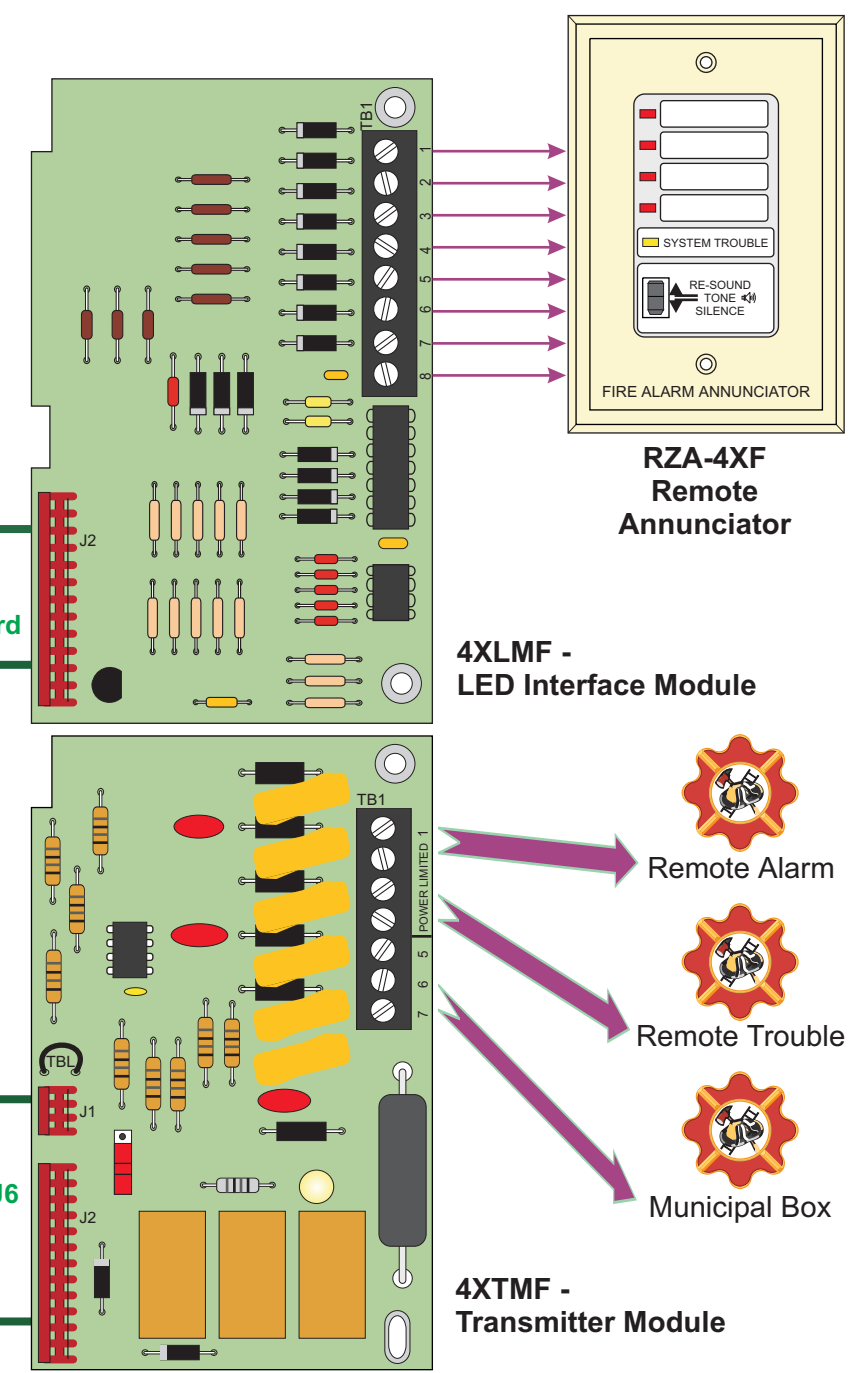
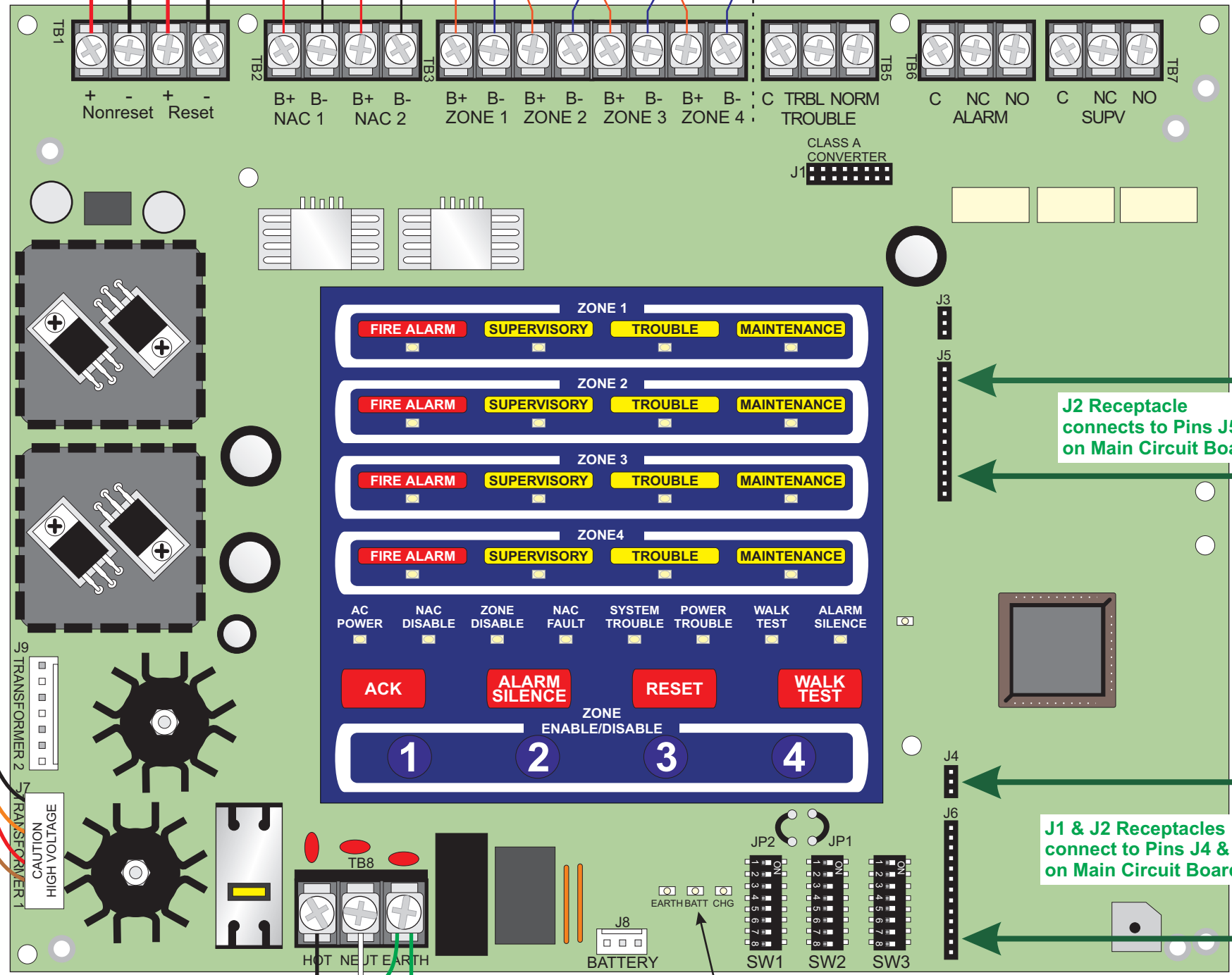
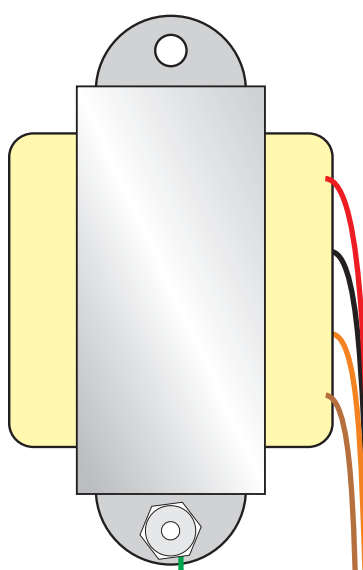
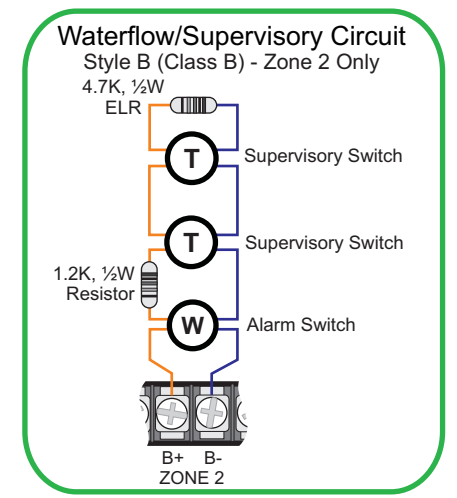
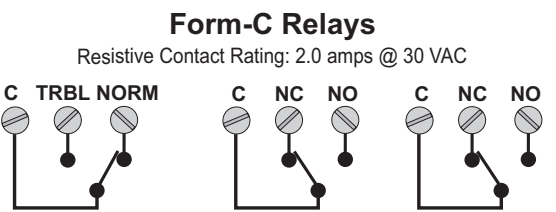
**DC Power Outputs (24 VDC)**  
 Supervise with a power supervision relay A77-716B

**Resettable Power** - 24 VDC (500mA)  
 filtered, power-limited to smoke detectors (IDC).

**Nonresettable Power** - 24 VDC (500mA)  
 filtered, power-limited to NAC circuits.



**NOTE:**  
 A CAC-4 "Class A Converter" module can be connected to J1 to convert the Style B IDCs to Style D IDCs and Style Y NACs to Style Z NACs



**CAUTION! HIGH VOLTAGE**

**AC Power**  
 120 VAC, 50/60 Hz, 2.3 Amps

HOT NEUTRAL GROUND

**J8 - Battery Connection**  
 7 AH - 18 AH

**Fault LEDs**

**DIP Switches**  
 For Programming of the Control Panel refer to Instruction Manual

**NOTE:** A 4XZMF Zone Relay Module can be installed in place of the 4XLMF or 4XTMF modules.