

TECHNICAL BULLETIN

ACM-16ATF/ACM-32AF Manual PN 51480

January 3, 2006
Document FLTB06-01-1

Dear Business Leader:

It has recently been discovered that there is an error in the ACM-16ATF/ACM-32AF manual involving switch placement. Switches should be placed down (towards the PC board) for ON and up (away from the PC board) for OFF.

The entire corrected page is shown on the following page. We apologize for any inconvenience.

Sincerely,



Nick Martello
FireLite Marketing Director

Sincerely,



Nick Martello
Fire-Lite Marketing Director

Setting Rotary and DIP Switches

The Annunciator Address Rotary Switches and the DIP Switches must be set before the annunciator will operate properly. The rotary switches are set to the address of the annunciator. The DIP switches are set to determine how the annunciator operates. For further information see the appendix for the specific FACP.

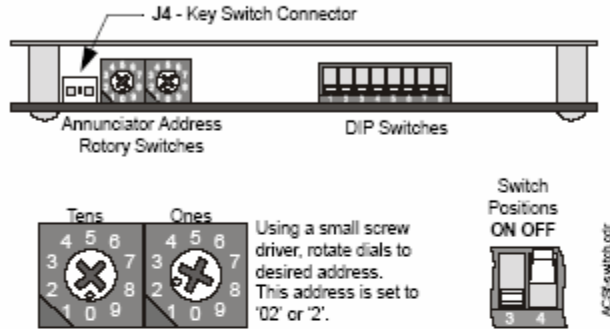


Figure 8 Setting Rotary and DIP Switches

DIP Switch Settings

- 1 - **Not Used:** This switch must be set "OFF"
- 2 - **Expanders Installed:** None = OFF; One = ON; Two = OFF; Three = ON
- 3 - **Expanders Installed:** None = OFF; One = OFF; Two = ON; Three = ON
- 4 - **Eight-Point Shift:** Set switch "ON" to switch the CPU functions out of the first eight annunciator points. This switch is intended for systems between 9 and 16 circuits and employing one ACM-16ATF module (with no expander) where annunciation of all circuits is desired.
- 5 - **Receive Only:** Set this switch "ON" for each annunciator that will provide the same information as another annunciator in a different location.
Note: When two or more annunciators hold the same address, all but one must be configured as "Receive Only" annunciators.
- 6 - **Piezo Disable:** Set this switch "ON" to disable the piezo from sounding for any event. (The piezo will also be disabled if Flash Inhibit is "ON".)
- 7 - **Switch Inhibit:** To disable the point control switches on the annunciator from executing system control functions, set this switch "ON". When inhibited, the switches will serve as local Lamp Test switches only. In addition, the Acknowledge/Lamp Test switch will function only in a local capacity, unrecognized by the control panel.
- 8 - **Flash Inhibit:** Set this switch "ON" to disable the flashing of LEDs associated with unacknowledged events. Flash Inhibit also disables the piezo from sounding.