

**CHG-120 Series
Addendum
For Connection Of
100 Amp Hour Batteries**

Document #51141 Rev. A 1/28/99 ECN 99-047

This Addendum illustrates the connection of two 100 Amp Hour batteries to the CHG-120 Series Battery Charger. Factory Mutual approval covers only single (nonparallel) battery sets. Refer to Figure 1 and Table 1 for proper connections.

Connecting Two Batteries Figure 1 illustrates how to connect two 100 AH batteries to the charger:

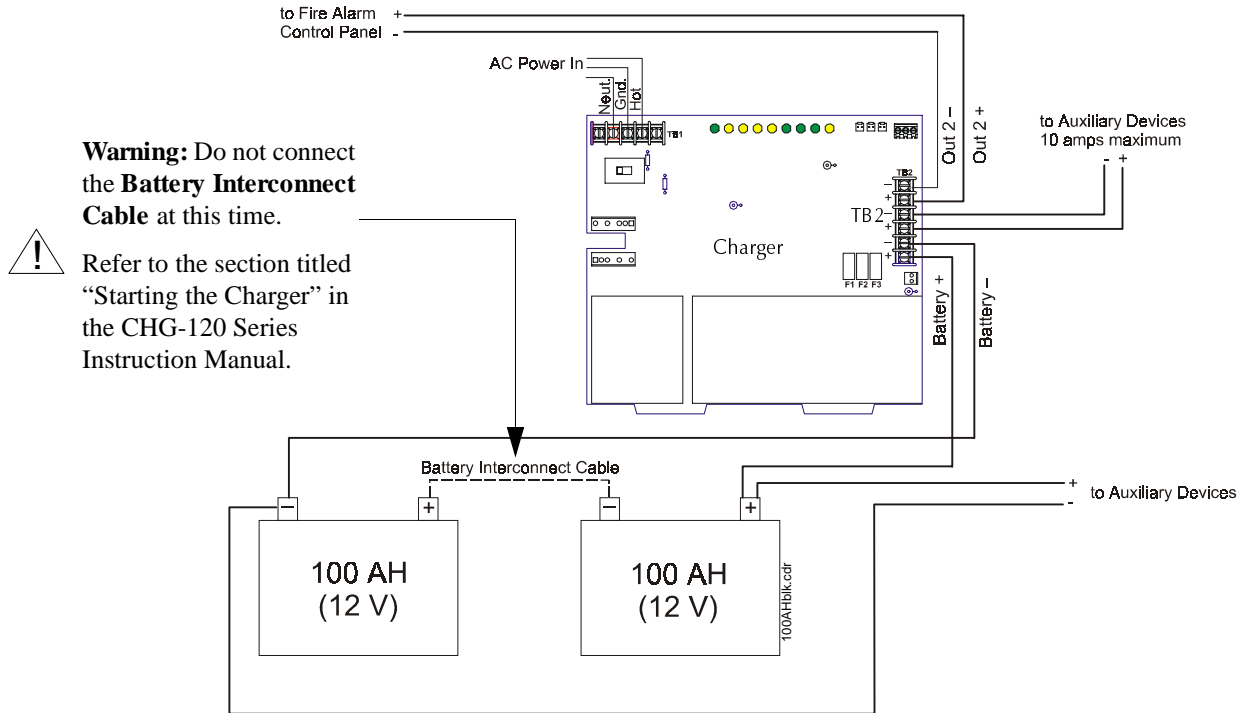


Figure 1 Connecting Two 100 Amp Hour Batteries to a Charger

Table 1 contains instructions for connecting two batteries to the charger:

Step	Action
1	Remove all power sources to the charger.
2	Connect the battery negative cable to the TB2 terminal (on the charger labeled “Battery -”) as shown in Figure 1.
3	Connect the battery positive cable to the TB2 terminal (on the charger labeled “Battery +”) as shown in Figure 1.
4	Proceed to the section titled “Connecting the Charger” in the CHG-120 Series Instruction Manual. <i>Do not connect the Battery Interconnect Cable at this time</i> —refer to the section titled “Starting the Charger” in the CHG-120 Series Instruction Manual.

Table 1 Connecting 100 AH Batteries

Connecting the CHG-120 Series Battery Charger for Additional Current

A maximum of 10 amps is available from each charger output. To draw additional current from the charger, a load can be connected directly to the batteries as illustrated in Figure 1.