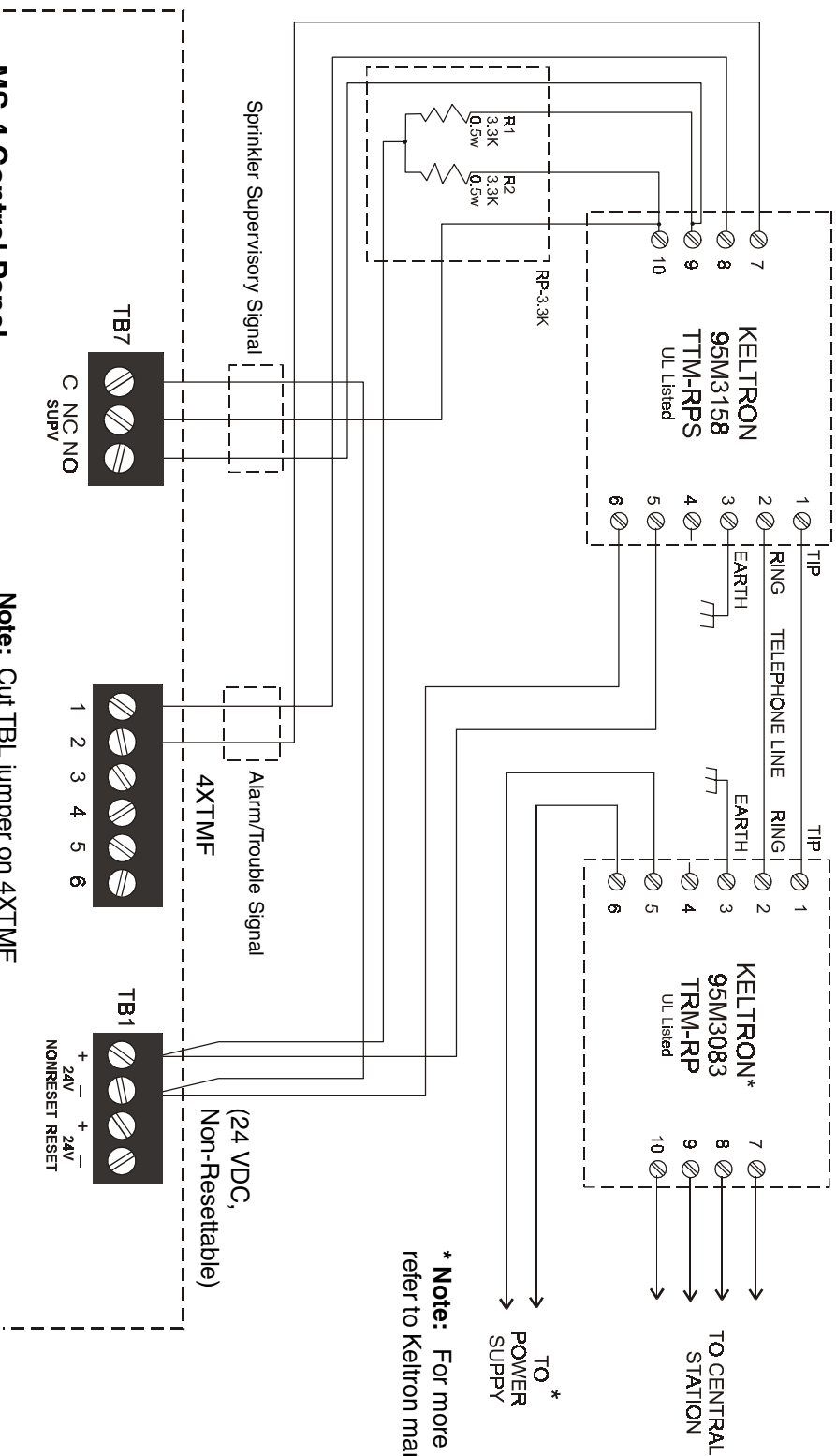


Keltron 95M3158 TTM-RPS

1. Terminals 7 and 8: Remote station alarm/trouble inputs.
2. Terminals 9 and 10: Sprinkler supervisory input.

CAUTION!

For reasons of wiring diagram clarity, terminal designations of Keltron modules are not shown in actual order. Follow Keltron manual and module markings for exact terminal locations to prevent severe module damage!



* Note: For more information, refer to Keltron manual.

MS-4 Control Panel
 Refer to MS-4 Manual Document #51512 for detailed information on terminal locations.

Note: Cut TBL jumper on 4XTMF module to send alarm/trouble signal from the same pair of terminals.

MS-4
 with Keltron RCV/RX/MTR
Wiring Diagram

51681 Revision A
 May 31, 2001

ECN 01-249