

**FIRE-LITE® Alarms**  
**MS-2 Basic System Connections**

**Color Legend**

- (text) Installation Information
- Operating Power
- Initiating Device Circuit



**DC Power Outputs (24 VDC)**

Supervise with a power supervision relay A77-716B

Resettable Power - 24 VDC (500mA) filtered, power-limited to smoke detectors (IDC).

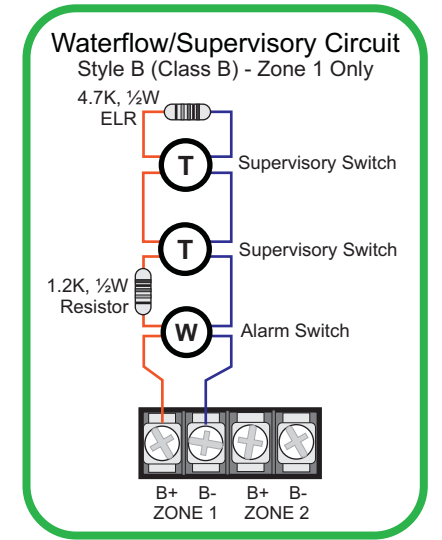
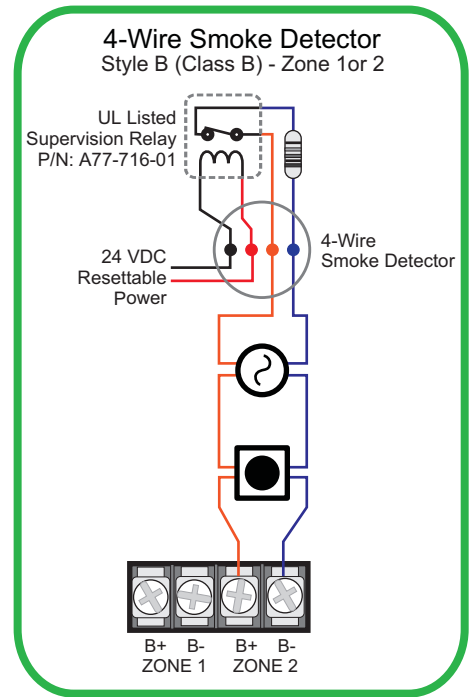
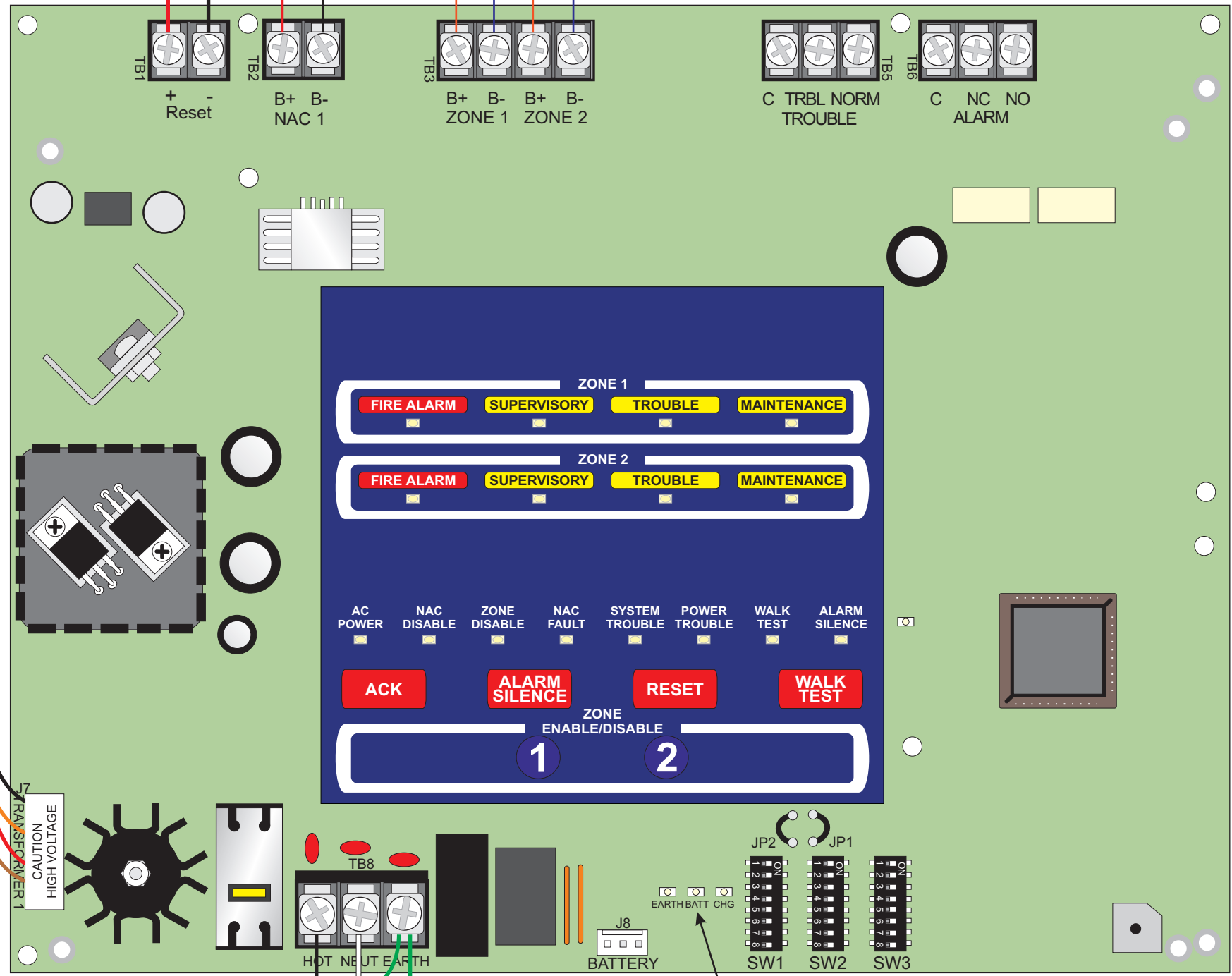
**Notification Appliance Circuit**  
 Style Y (Class B)  
 2.5 amps max.

**Initiating Device Circuits**  
 Style B (Class B)  
 See "Waterflow/Supervisory" and "4-Wire Smoke Detector"

Dummy Load all unused circuits. (P/N: 71245)

**Form-C Relays**

Resistive Contact Rating: 2.0 amps @ 30 VAC



**CAUTION! HIGH VOLTAGE**

**AC Power**  
 120 VAC, 50/60 Hz, 2.3 Amps

HOT  
 NEUTRAL  
 GROUND

**J8 - Battery Connection**  
 7 AH - 18 AH

**Fault LEDs**

**DIP Switches**  
 For Programming of the Control Panel refer to Instruction Manual