

# BB-100/200 Cabinet Product Installation Document

PN 51981:A1 12/05/2006 06-836

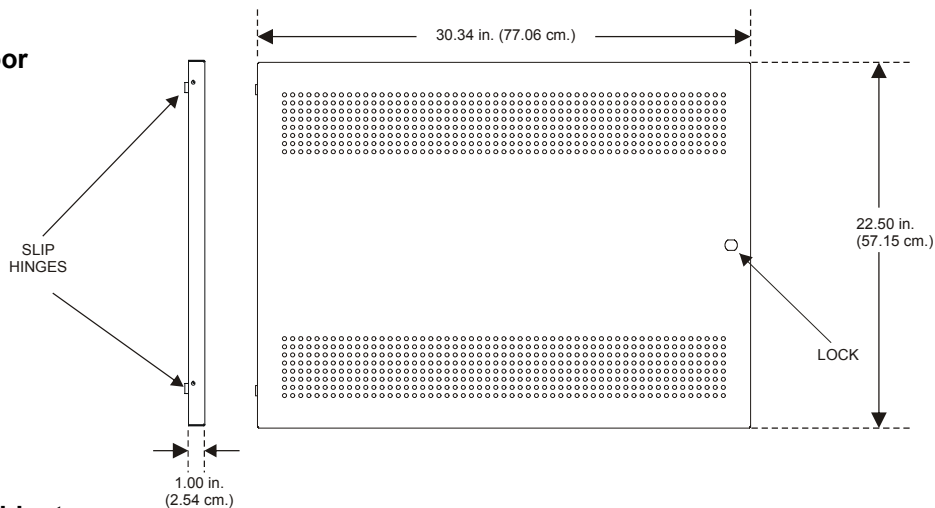
The **BB-100 Cabinet** is lockable, hinged on the left, and shipped fully assembled. It can mount a power supply and up to two BAT-12100 100AH batteries. It is designed to be mounted a minimum of 6 inches (15.24 cm.) below the Fire Alarm Control Panel. Below are the cabinet dimensions for installation.



**WARNING: Cabinet will be very heavy.**

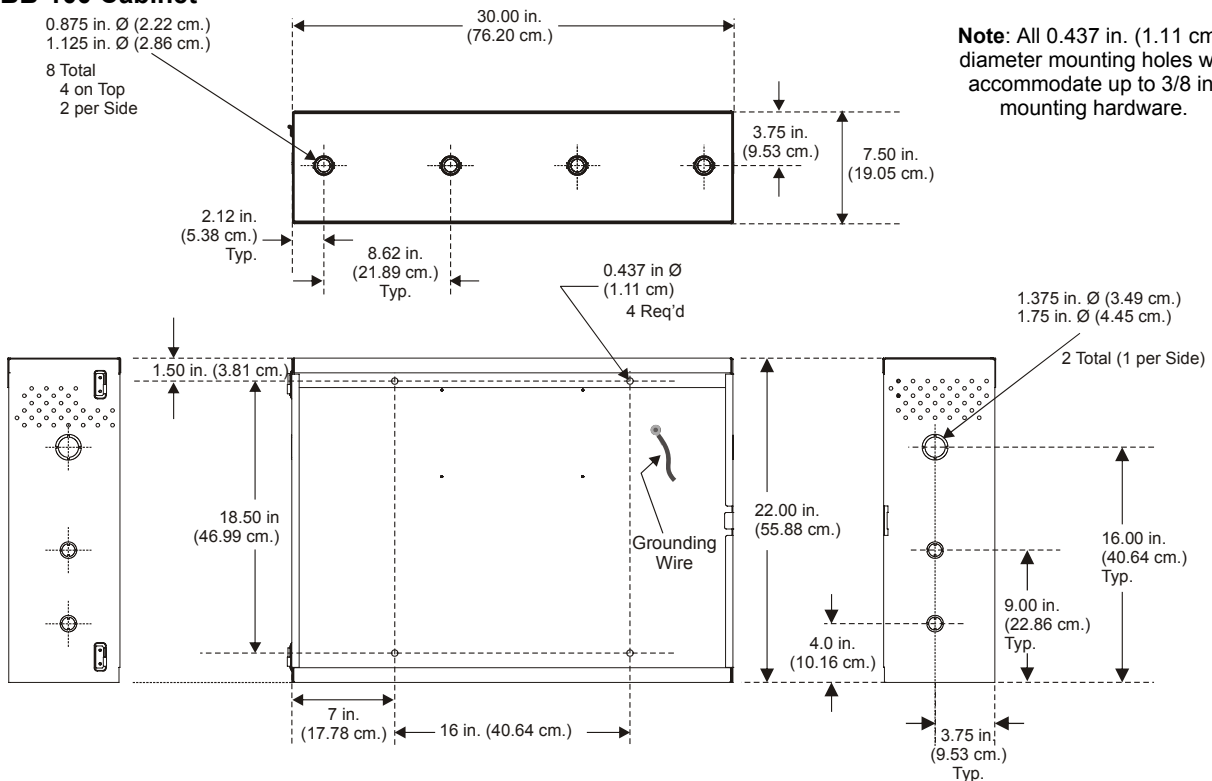
The total weight of a fully loaded BB-100 will exceed 175 pounds. Additional support may be required when mounting this cabinet to a wall.

**BB-100 Door**



**BB-100 Cabinet**

- 0.875 in. Ø (2.22 cm.)
- 1.125 in. Ø (2.86 cm.)
- 8 Total
- 4 on Top
- 2 per Side



**Note:** All 0.437 in. (1.11 cm.) diameter mounting holes will accommodate up to 3/8 in. mounting hardware.

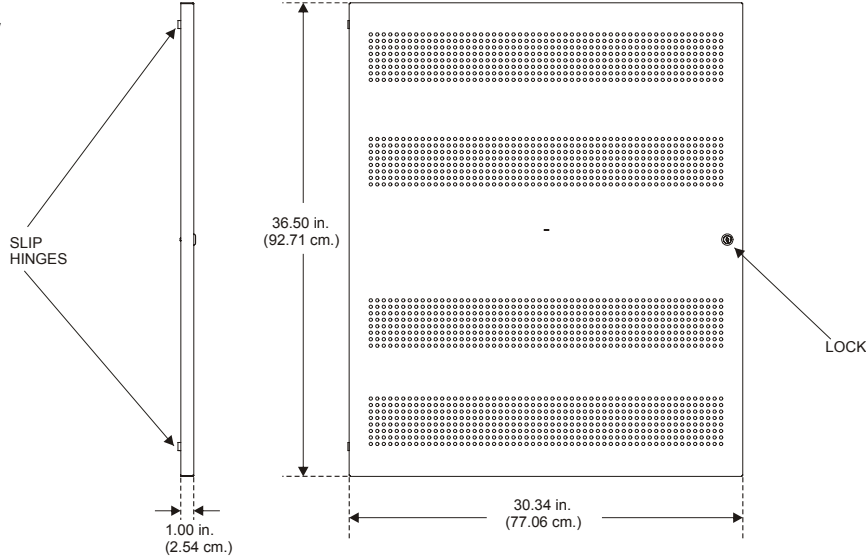
The **BB-200 Cabinet** is lockable, hinged on the left, and shipped assembled. It can mount a power supply and up to four BAT-12100 100AH batteries. It is designed to be mounted a minimum of 6 inches (15.24 cm.) below the Fire Alarm Control Panel. Below are the cabinet dimensions for installation.



**WARNING: Cabinet will be very heavy.**

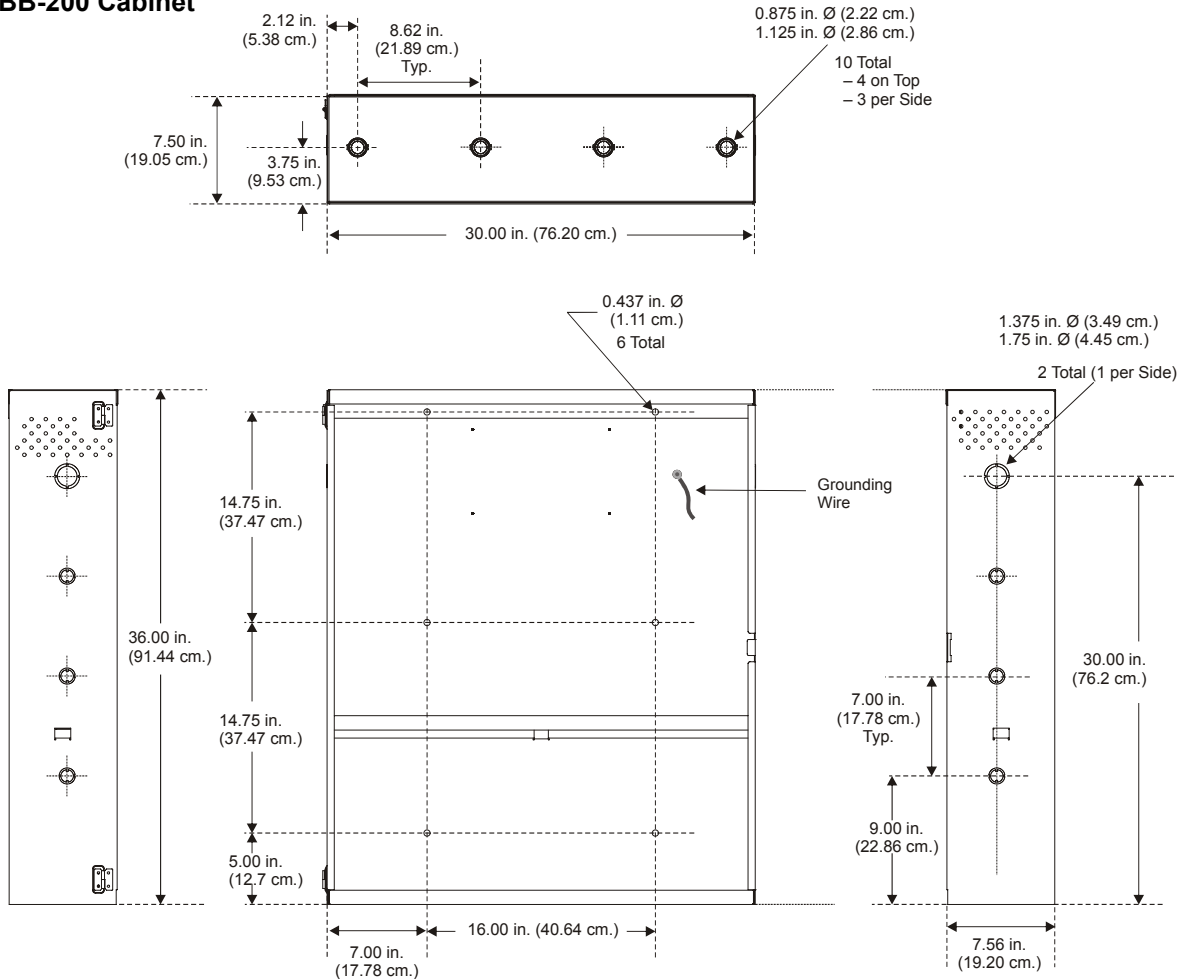
The total weight of a fully loaded BB-200 will exceed 300 pounds. Additional support may be required when mounting this cabinet to a wall.

**BB-200 Door**



BB200\_door.wmf

**BB-200 Cabinet**



BB200\_backbox.wmf