

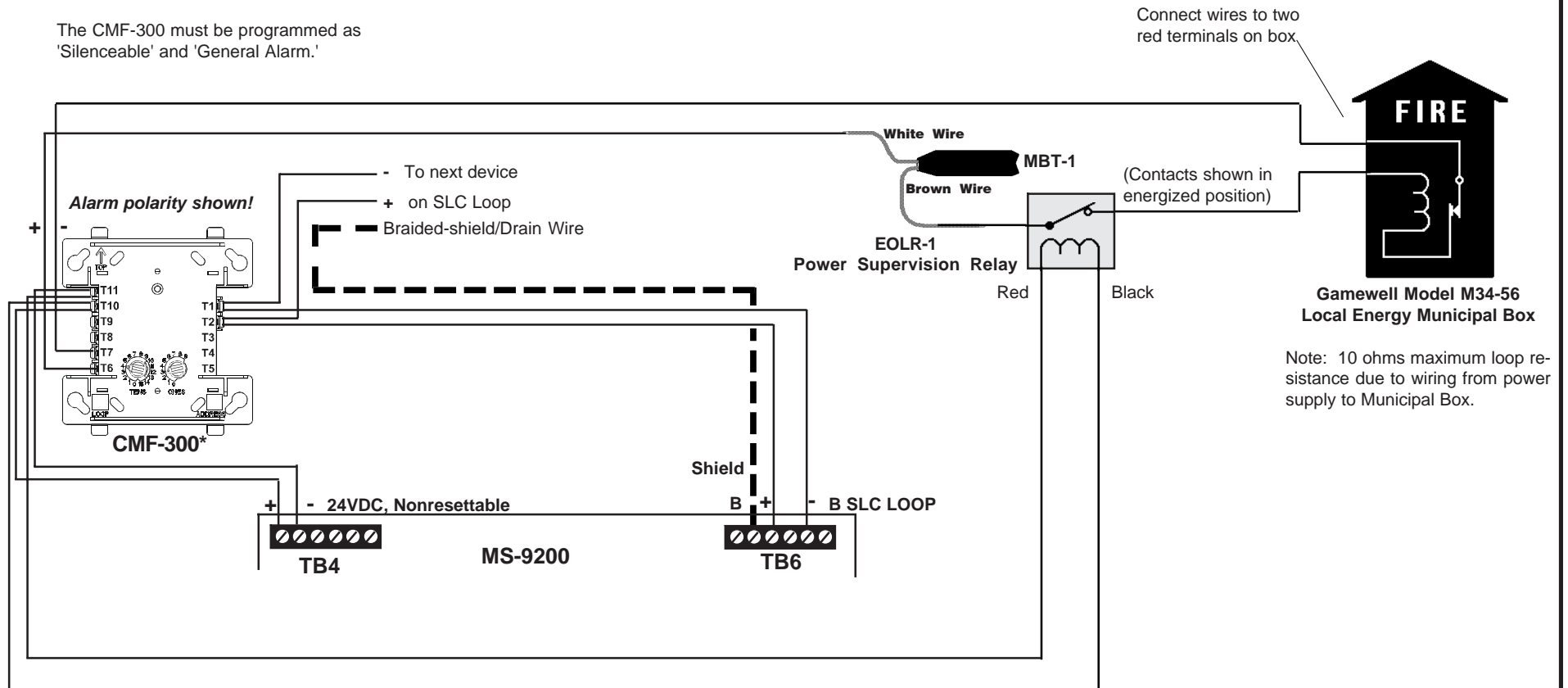
Fire-LITE Alarms by Honeywell

One Fire-Lite Place, Northford, CT 06472

The CMF-300 must be programmed as 'Silenceable' and 'General Alarm.'

MBT-1 Municipal Box Trip for Fire-Lite Fire Alarm Control Panels

Document 52033 Rev C 02/19/08 ECN 08-116

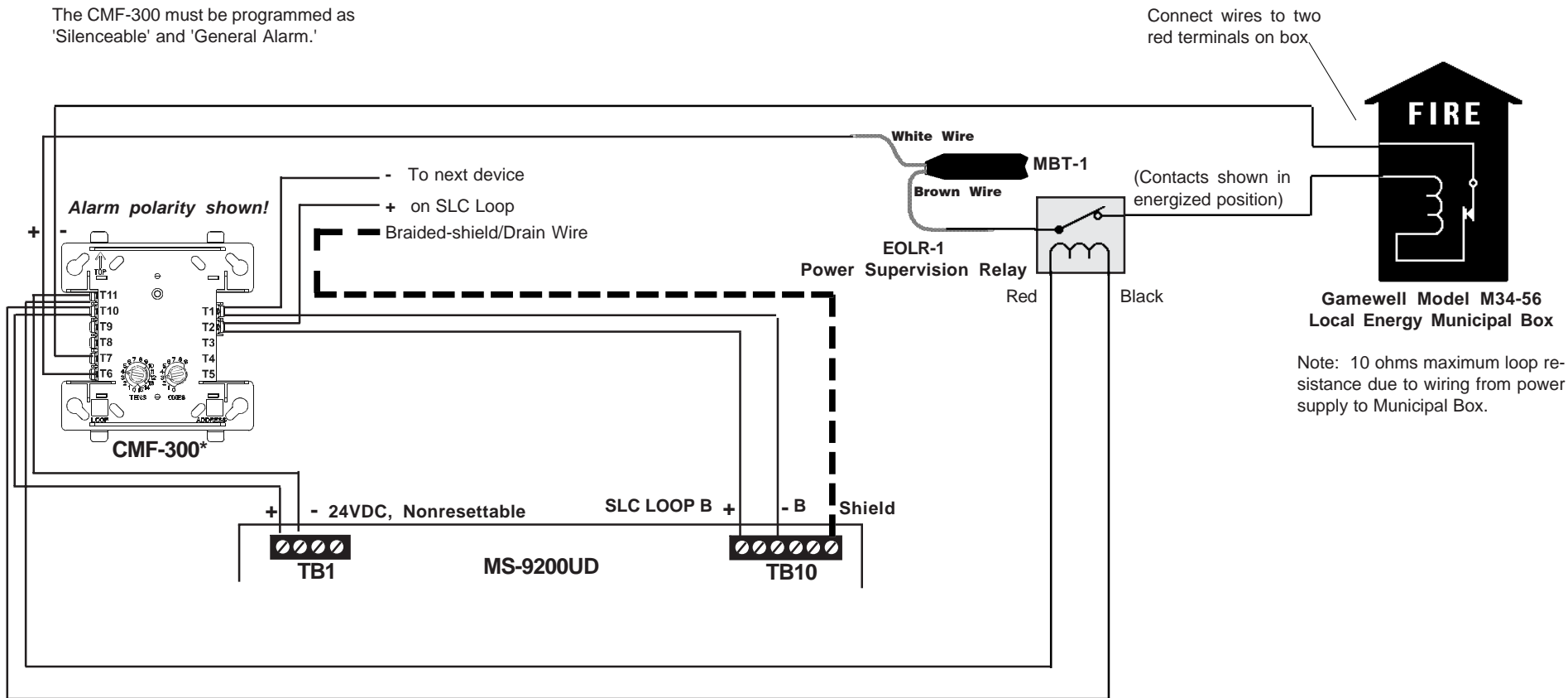


* If the SLC device does not match the one in this figure, refer to the SLC Manual (document #51309) wiring conversion charts for legacy and newer versions of the modules.

MS-9200 NFPA 72 Auxiliary Protective Signaling System (Alarm Signal Transmission)

For connection of initiating devices and modules in this system, refer to the MS-9200 Installation Manual, Document 51003. This application is not suitable for separate transmission of sprinkler supervisory or trouble conditions.

The CMF-300 must be programmed as 'Silenceable' and 'General Alarm.'



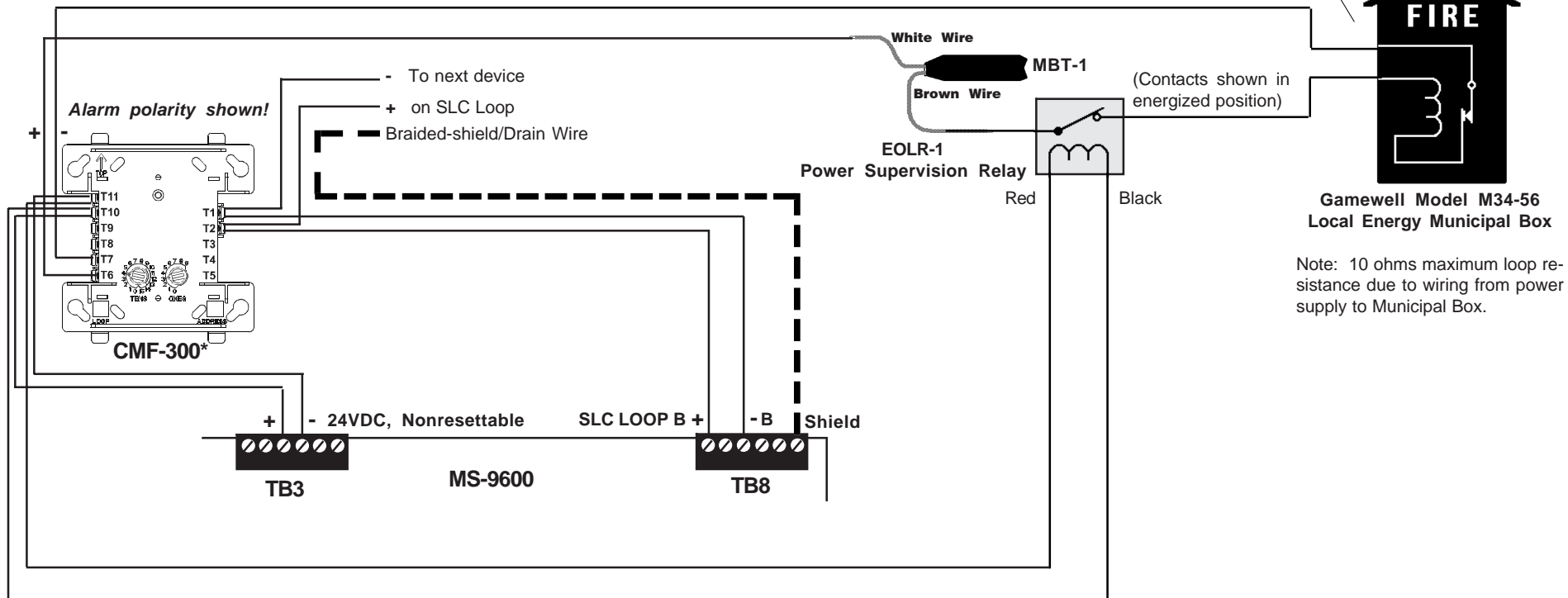
* If the SLC device does not match the one in this figure, refer to the SLC Manual (document #51309) wiring conversion charts for legacy and newer versions of the modules.

MS-9200UD & MS-9200UDLS NFPA 72 Auxiliary Protective Signaling System (Alarm Signal Transmission)

For connection of initiating devices and modules in this system, refer to the MS-9200UD Installation Manual, Document 51906. This application is not suitable for separate transmission of sprinkler supervisory or trouble conditions.

The CMF-300 must be programmed as 'Silenceable' and 'General Alarm.'

Connect wires to two red terminals on box



* If the SLC device does not match the one in this figure, refer to the SLC Manual (document #51309) wiring conversion charts for legacy and newer versions of the modules.

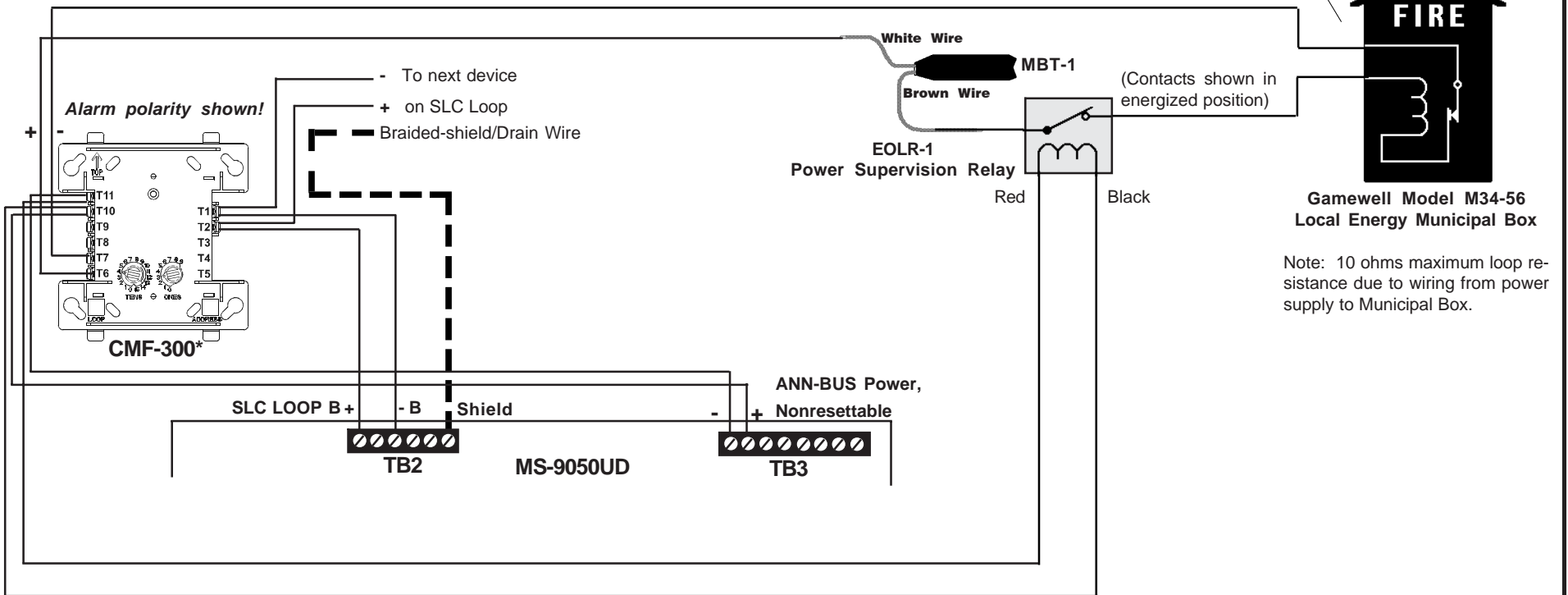
MS-9600, MS-9600LS & MS-9600UDLS (Software Version 1.2 or Greater) NFPA 72 Auxiliary Protective Signaling System (Alarm Signal Transmission)

For connection of initiating devices and modules in this system, refer to the MS-9600 Installation Manual, Document 51335. This application is not suitable for separate transmission of sprinkler supervisory or trouble conditions.

IMPORTANT! This application, utilizing an MBT-1 and an MS-9600 FACP, is only possible when the MS-9600 has Software Version 1.2 or Greater installed.

Note: MS-9600LS and MS-9600UDLS Fire Alarm Control Panels are FM Approved.

The CMF-300 must be programmed as 'Silenceable' and 'General Alarm.'

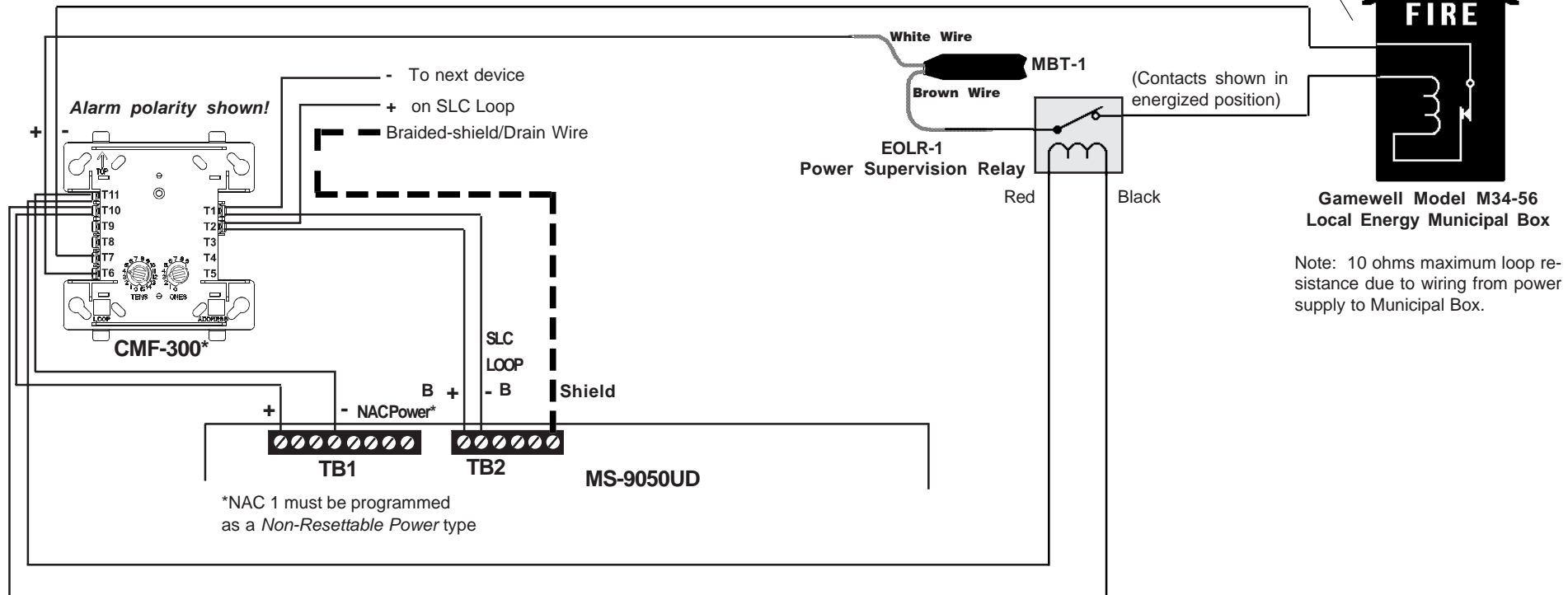


* If the SLC device does not match the one in this figure, refer to the SLC Manual (document #51309) wiring conversion charts for legacy and newer versions of the modules.

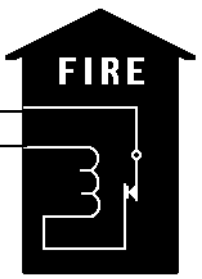
MS-9050UD
NFPA 72 Auxiliary Protective Signaling System
Using ANN-BUS Power
(Alarm Signal Transmission)

For connection of initiating devices and modules in this system, refer to the MS-9050UD Installation Manual, Document 52413. This application is not suitable for separate transmission of sprinkler supervisory or trouble conditions.

The CMF-300 must be programmed as 'Silenceable' and 'General Alarm.'



Connect wires to two red terminals on box.



**Gamewell Model M34-56
Local Energy Municipal Box**

Note: 10 ohms maximum loop resistance due to wiring from power supply to Municipal Box.

*NAC 1 must be programmed as a Non-Resettable Power type

* If the SLC device does not match the one in this figure, refer to the SLC Manual (document #51309) wiring conversion charts for legacy and newer versions of the modules.

**MS-9050UD
NFA 72 Auxiliary Protective Signaling System
Using NAC Power*
(Alarm Signal Transmission)**

For connection of initiating devices and modules in this system, refer to the MS-9050UD Installation Manual, Document 52413. This application is not suitable for separate transmission of sprinkler supervisory or trouble conditions.