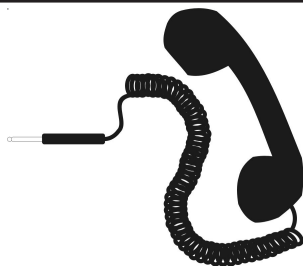




RPJ-F
Remote Page Jack



FHS-F
Fire Fighter's Hand Set

Fire-LITE Alarms
by Honeywell

RPJ-F Remote Page Jack Product Installation Drawing

Document 52255 Rev: B1 3/22/11 ECN 11-097

RPJ-F Installation

The RPJ-F Remote Page Jack mounts to a single-gang electrical box (4" x 2-1/8" x 2-1/2") or a deep single-gang electrical box (4" x 2-1/8" x 3-1/4") when the MMF-301 addressable mini-monitor module is installed with it.

- Connect the telephone audio loop between the RPJ-F and ACC-FFT as detailed in the following table and illustration below.
- Connect the key switch on the RPJ-F to the ACC-FFT as detailed in the following table and illustration below.

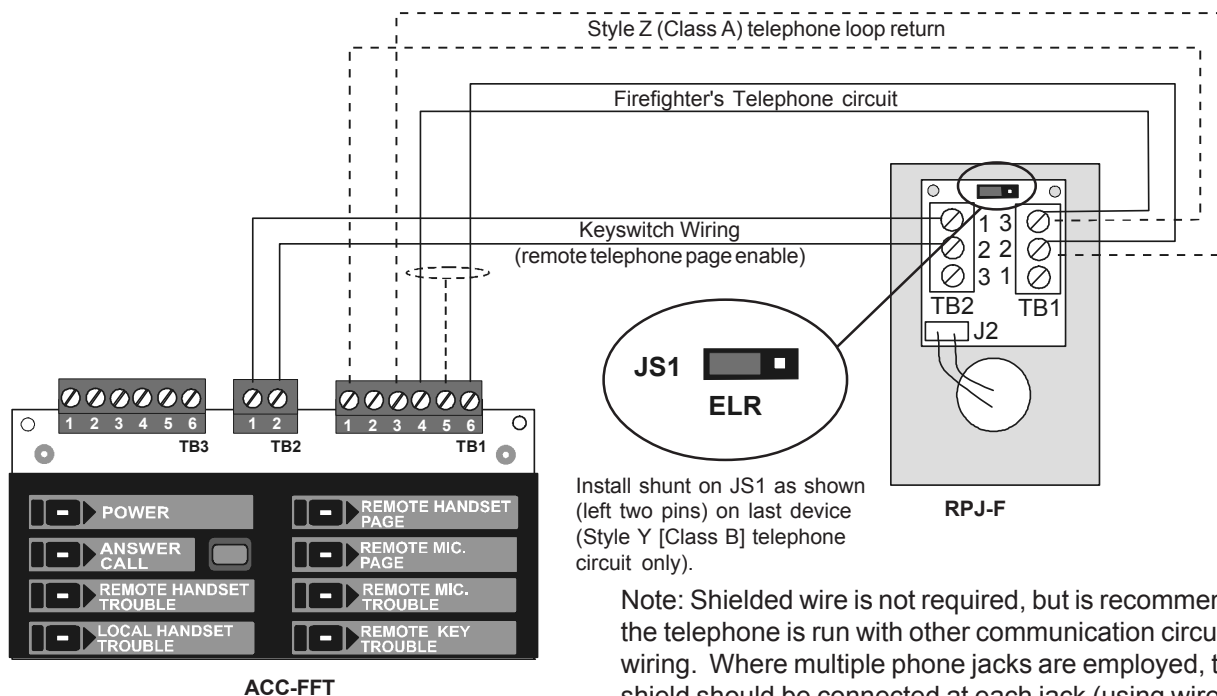
Telephone Loop Wiring	
ACC-FFT TB1	RPJ-F TB1
Terminal 4	Terminal 3
Terminal 5 connect shield	Terminal 1 (reserved)
Terminal 6	Terminal 2

Telephone Page Keyswitch	
ACC-FFT TB2	RPJ-F TB2
Terminal 1	Terminal 1
Terminal 2	Terminal 2
	Terminal 3 (reserved)

All circuits are power-limited and supervised.

RPJ-F Operation

To execute a remote page, insert the key into the RPJ-F and turn clockwise (to All Call Page position). Insert handset into the RPJ-F phone jack. Wait for speaker activation, and begin paging. When paging is complete, remove the handset, lock the RPJ-F by turning key counter-clockwise and remove the key.

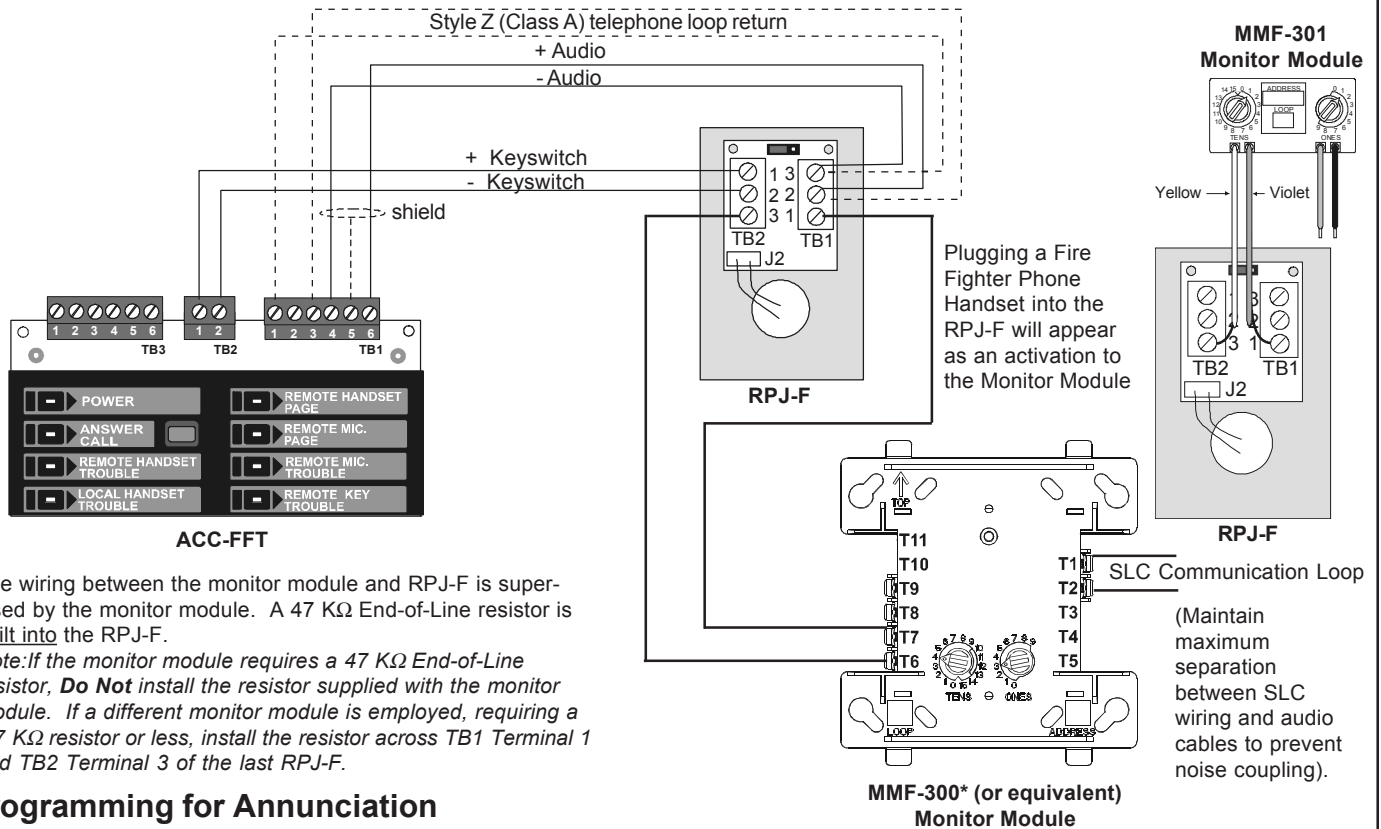


Install shunt on JS1 as shown (left two pins) on last device (Style Y [Class B] telephone circuit only).

Note: Shielded wire is not required, but is recommended if the telephone is run with other communication circuit wiring. Where multiple phone jacks are employed, the shield should be connected at each jack (using wire nuts or other connection method) and isolated at the last jack.

Annunciation of RPJ-F Activation (MS-9600, MS-9600LS, MS-9200UD, and MS-9200UDLS Only)

The ACC-FFT Fire Fighter Telephone Module has the capability of annunciating up to 24 RPJ-F locations or zones when the ACC-25/50ZST is used with an MS-9600, MS-9600LS, MS-9200UD, or MS-9200UDLS Fire Alarm Control Panel. In order to accomplish this, an addressable monitor module, such as the MMF-300 or MMF-301, must be connected to each RPJ-F or group of RPJ-Fs to be annunciated as illustrated below.



The wiring between the monitor module and RPJ-F is supervised by the monitor module. A 47 K Ω End-of-Line resistor is built into the RPJ-F.

Note: If the monitor module requires a 47 K Ω End-of-Line resistor, **Do Not** install the resistor supplied with the monitor module. If a different monitor module is employed, requiring a 4.7 K Ω resistor or less, install the resistor across TB1 Terminal 1 and TB2 Terminal 3 of the last RPJ-F.

Programming for Annunciation

Refer to Appendix D in the ACC-25/50ZST Manual and the Programming Section in the appropriate Fire Alarm Control Panel Manual.

* If your SLC device does not match the one in this illustration, refer to the SLC manual (document #51309) devices wiring conversion charts for the legacy and newer type devices.

The ACC-FFT is capable of annunciating up to 24 telephone circuits. The MS-9600, MS-9600LS, MS-9200UD, or MS-9200UDLS must be programmed to allow the annunciation of these circuits. This is accomplished as follows:

- Connect a monitor module to the desired RPJ-F as described above.
- Program the monitor module as described in the appropriate FACP manual, selecting *Telephone* as the Type Code.
- Program the monitor module to the desired Zone as described in the appropriate FACP manual.

Note: Zones 75 through Zone 98 in the MS-9200UD or MS-9200UDLS and Zones 135 through 158 in the MS-9600 and MS-9600LS are reserved for telephone circuit annunciation when the Telephone Type Code is selected. Programming an RPJ-F monitor module to Zone 75 in the MS-9200UD and MS-9200UDLS or Zone 135 in the MS-9600 and MS-9600LS will turn on the first LED on the ACC-FFT when that phone is activated, Zone 76/Zone 136 will cause the second LED to turn, etc. Refer to the illustration at right.

