

TR-CE Series TR-6 Series Product Installation Document

PN 53015:B 2/1/2013 13-186

TR-CE and TR-6 Series Trim Ring Installation Procedure:

1. Remove the door from the FACP backbox to facilitate mounting and Trim Ring installation.
2. Semi-flush mount the FACP backbox into the wall. Refer to the FACP manual for information on mounting.
3. Install the Trim Ring on the backbox so it is as flush to the wall as possible. One of the six holes in each corner of the Trim Ring must align with one of the two holes in each corner of the backbox. Refer to Figure 1.
4. Secure each of the four corners of the Trim Ring to the backbox with a self-tapping screw inserted from the inside of the backbox as illustrated in Figure 2.

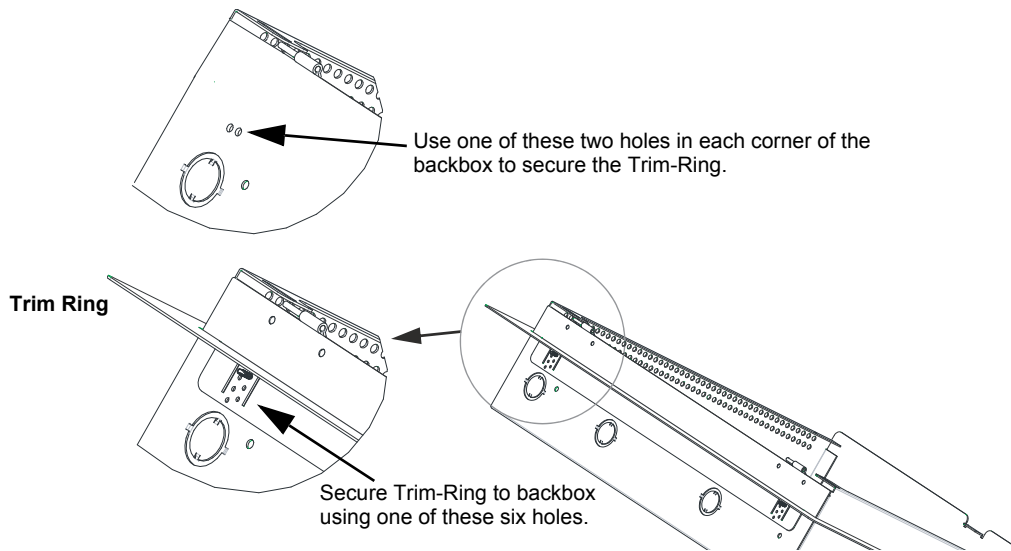


Figure 1 Positioning the Trim Ring

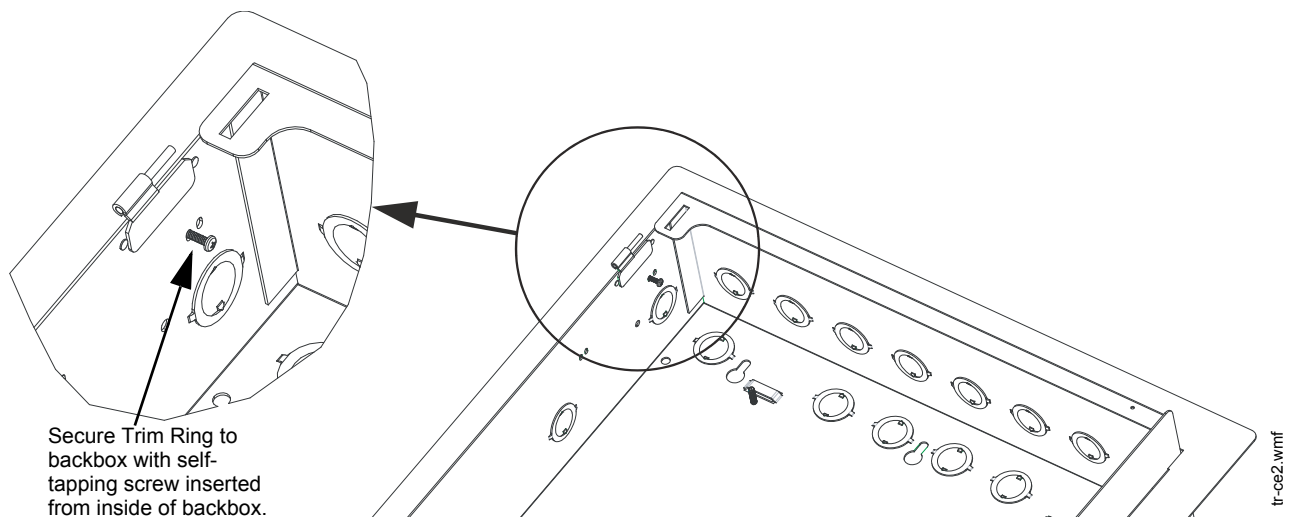


Figure 2 Securing the Trim Ring

tr-ce1.wmf

tr-ce2.wmf