

FI-MPS Series Manual Stations Product Installation Document

PN 53561:B3 05/13/2016 16-0097



CAUTION: STATIC SENSITIVE EQUIPMENT:

THIS EQUIPMENT IS SENSITIVE TO STATIC ELECTRICITY. IT MAY BE DAMAGED IF NOT PROPERLY HANDLED. USE A GROUNDING WRIST STRAP AND AN ANTI-STATIC MAT WHEN HANDLING THIS EQUIPMENT. FAILURE TO OBSERVE THIS REQUIREMENT COULD CAUSE LATENT DAMAGE TO THE EQUIPMENT WHICH MIGHT NOT MANIFEST ITSELF UNTIL AFTER THE EQUIPMENT IS PLACED IN SERVICE.



CAUTION: DISCONNECT ALL POWER:

REMOVE ALL SOURCES OF POWER BEFORE SERVICING, REMOVING OR INSTALLING ANY UNITS.

Section 1: Description

The FI-MPS-Series Manual Stations are used with a compatible addressable control panel. The manual station devices are powered by a compatible Fire-Lite data communication link (DCL) using the communications protocol.



NOTE: The information contained in this Installation Instruction is a quick reference guide. For detailed system information, refer to the panel manufacturer's installation manual. For product information, refer to the Data Sheet P/N DF-60420 and DF-60431. This installation document is generic and will not address specific programming procedures.

Section 2: Installation

The FI-MPS Series manual stations are available as single- or two-stage manual stations. The single- and two-stage manual stations are available in both addressable and conventional models. All models include screw terminal connectors and a hex key reset. Two-stage manual stations include a key-switch and one key.

2.1 Installation Precautions

Install the FI-MPS Series manual stations in accordance with the following precautionary notices.



CAUTION: ULC STANDARDS/REQUIREMENTS:

INSTALL THE FI-MPS-SERIES MANUAL STATIONS IN ACCORDANCE WITH THESE INSTRUCTIONS, APPLICABLE CAN/ULC-S524, STANDARD FOR THE INSTALLATION OF FIRE ALARM SYSTEMS, CAN/ULC-S528, MANUAL STATIONS FOR FIRE ALARM SYSTEMS, AND CANADIAN ELECTRICAL CODES AND THE REQUIREMENTS OF THE AUTHORITY HAVING JURISDICTION (AHJ). REGULAR TESTING OF THE DEVICES SHOULD BE CONDUCTED IN ACCORDANCE WITH THE CAN/ULC-S536, STANDARD FOR THE INSPECTION AND TESTING OF FIRE ALARM SYSTEMS. FAILURE TO FOLLOW THESE DIRECTIONS MAY RESULT IN FAILURE OF THE DEVICE TO REPORT AN ALARM CONDITION. THE MANUFACTURER IS NOT RESPONSIBLE FOR DEVICES THAT HAVE BEEN IMPROPERLY INSTALLED, TESTED OR MAINTAINED.



WARNING: INSTALLATION HAZARDS:

RADIO FREQUENCY INTERFERENCE AND ELECTROMAGNETIC INTERFERENCE ARE SOURCES OF NOISE THAT CAN ADVERSELY AFFECT FIRE ALARM SYSTEM INSTALLATIONS. WHEN INSTALLING THE FIRE ALARM SYSTEM DEVICES, AVOID PLACING THE DEVICES OR WIRING CLOSE TO POTENTIAL NOISE SOURCES SUCH AS:

- TRANSMITTERS OR ANTENNAS
- LARGE POWER TRANSFORMERS
- BALLAST LIGHTING
- LARGE MACHINES
- ELECTRICAL MOTORS

AVOID RUNNING THE DATA COMMUNICATION LINK (DCL) CIRCUITS IN THE SAME CONDUIT AS THE POWER LINES. USE TWISTED-PAIR, SHIELDED WIRE IN ENVIRONMENTS WHERE EXCESSIVE NOISE IS EXPECTED.

2.2 FI-MPS Series Conventional Manual Station Installation

Figure 2.2.1 illustrates the FI-MPS Series Conventional manual station backbox installation. The following mounting options are available for the FI-MPS Series Conventional manual station backbox.

- a standard single-gang electrical box
- a 10.16 cm (4" square) electrical backbox, (Requires an adapter plate, Part Number: RMS-TP3)
- a 2 gang electrical backbox, (Requires adapter plate, Part Number: RMS-TP1)
- a single-gang electrical box with an optional plaster ring
- a surface-mounted deep backbox, (Part Number: MPS-DBB)
- surface-mounted with MPS-BB backbox, (Part Number: MPS-BB)

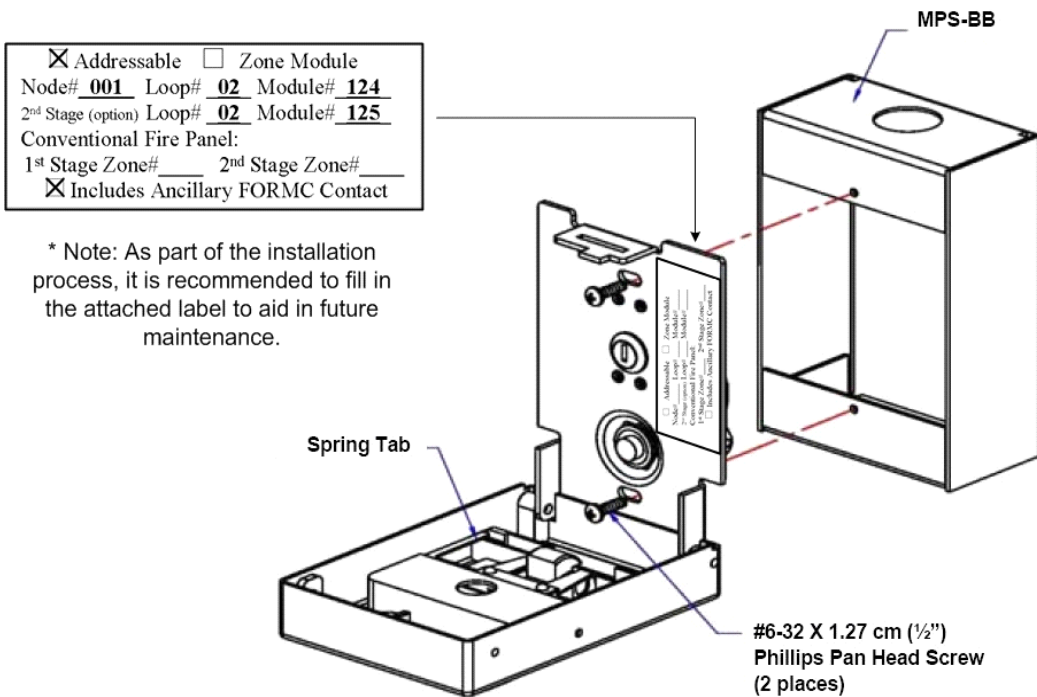


Figure 2.2.1 FI-MPS Series Conventional Manual Station Installation

2.3 FI-MPS Series Addressable Manual Station Backbox Installation Requirements

The following mounting options are available for the FI-MPS Series Addressable manual station:

- a 10.16 cm (4" square) electrical backbox, (Requires an adapter plate, Part Number: RMS-TP3)
- a 2 gang electrical back box, (Requires an adapter plate, Part Number: RMS-TP1)
- a surface-mounted deep backbox, (Part Number: MPS-DBB)
- most recessed single gang deep electrical boxes, dependent on the box fill and conduit entries. See detailed manual station dimensions in Figure 2.3.1, 2.3.2, 2.3.3 and 2.3.4 to verify if the installation is compatible.
- an incompatible single gang electrical box, (Requires the extension ring, Part Number: MPS-ER)

Figure 2.3.1 and Figure 2.3.2 illustrate the rear and side views of the FI-MPS Series Addressable Manual Station.

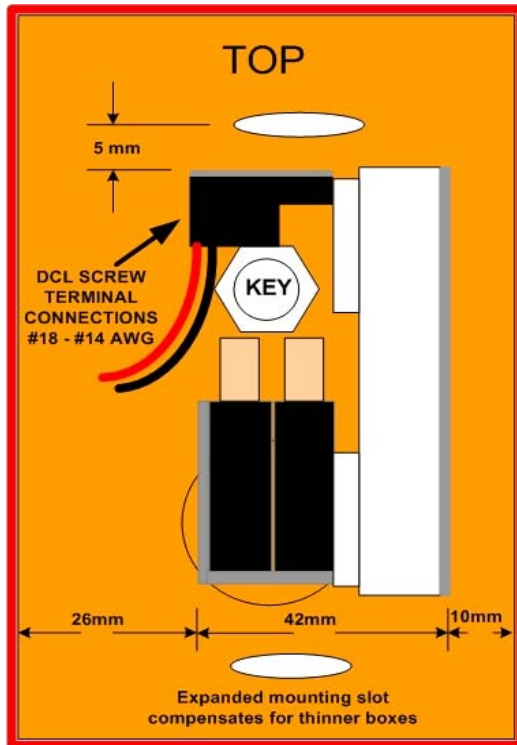


Figure 2.3.1 FI-MPS Series Addressable Manual Station (Rear View)

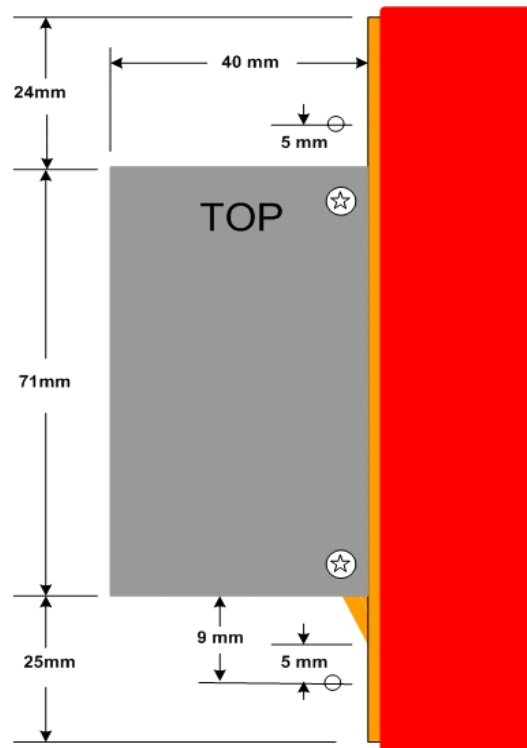


Figure 2.3.2 FI-MPS Series Addressable Manual Station (Side View)

Figure 2.3.3 and Figure 2.3.4 illustrate the top and bottom views of the FI-MPS Series Addressable Manual Station.

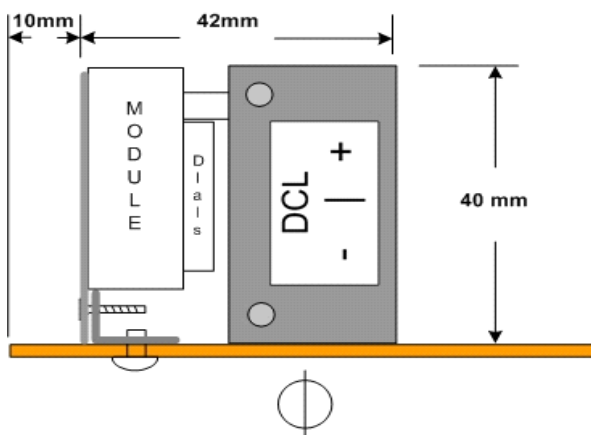


Figure 2.3.3 FI-MPS Series Addressable Manual Station (Top View)

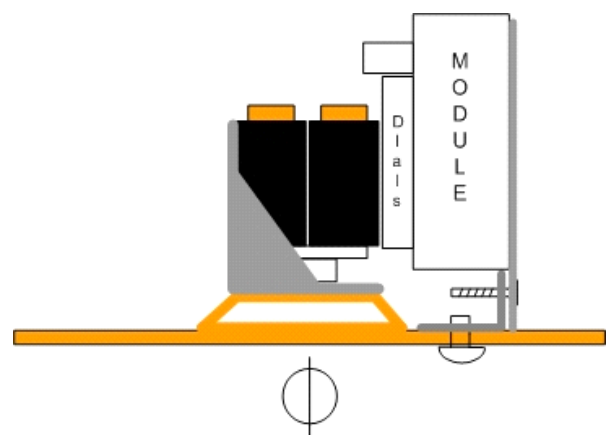


Figure 2.3.4 FI-MPS Series Addressable Manual Station (Bottom View)

2.4 FI-MPS Series Addressable Module Addressing Four Easy Steps:

To install the module in a secure position, do the following steps.

1. To loosen the two securing screws, use a Phillips screwdriver and turn the screws counter-clockwise. (These screws are not intended to be removed). (See Figure 2.4.1 and Figure 2.4.2)
2. Tilt the module backwards (tilts to about 40 degrees). (See Figure 2.4.2)
3. To set the address of the module, use a small flat screw driver.
 - a. To set the address on a Single-Stage model, rotate the switches to the selected address.
 - b. To set the address on a Two-Stage model, rotate the switches to the selected address.

Two-Stage Models will automatically assign itself the next consecutive address.

For example, If you set the Two-Stage pull station to Address 26, then the model automatically assigns the next number in the sequence, Address 27. The Addresses 26 and 27 are automatically assigned to the Two-Stage pull station.

4. To tighten the two securing screws, use a Phillips screwdriver and turn the screws clockwise.

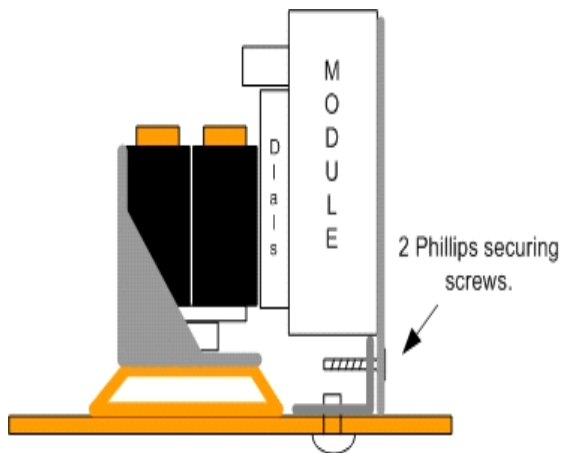


Figure 2.4.1 Install Module in Secure Position

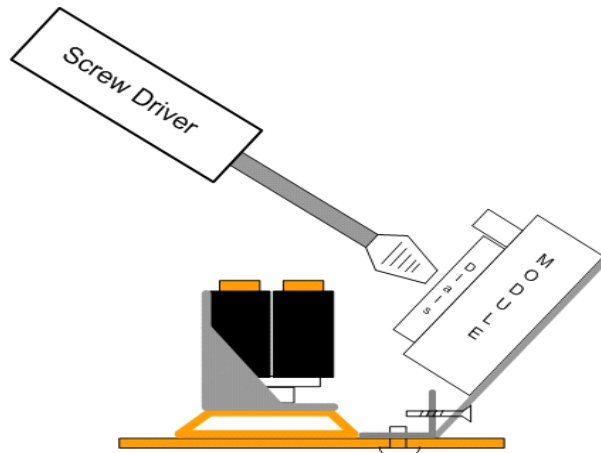


Figure 2.4.2 Tilt Module Back for Addressing

2.5 The MPS-LP Dual Action Cover

The MPS-LP Lift and Pull Cover is compatible with the FI-MPS Addressable and Conventional Models.

To operate the MPS-LP Life and Pull Cover, lift this cover, then pull the handle on the manual station.

Figure 2.5.1 illustrates the MPS-LP installation.

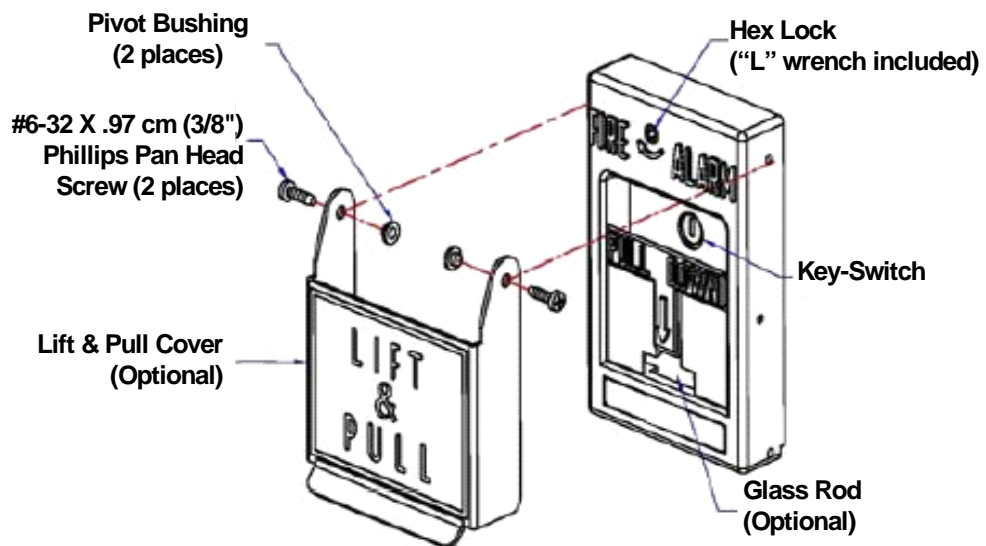


Figure 2.5.1 MPS-LP Lift and Pull Cover Installation

Section 3: Wiring Connections

3.1 FI-MPS Series Addressable Manual Station Wiring Connections

Figure 3.1.1 illustrates the wiring connections using DCLA and DCLB for the FI-MPS Series Addressable manual stations.

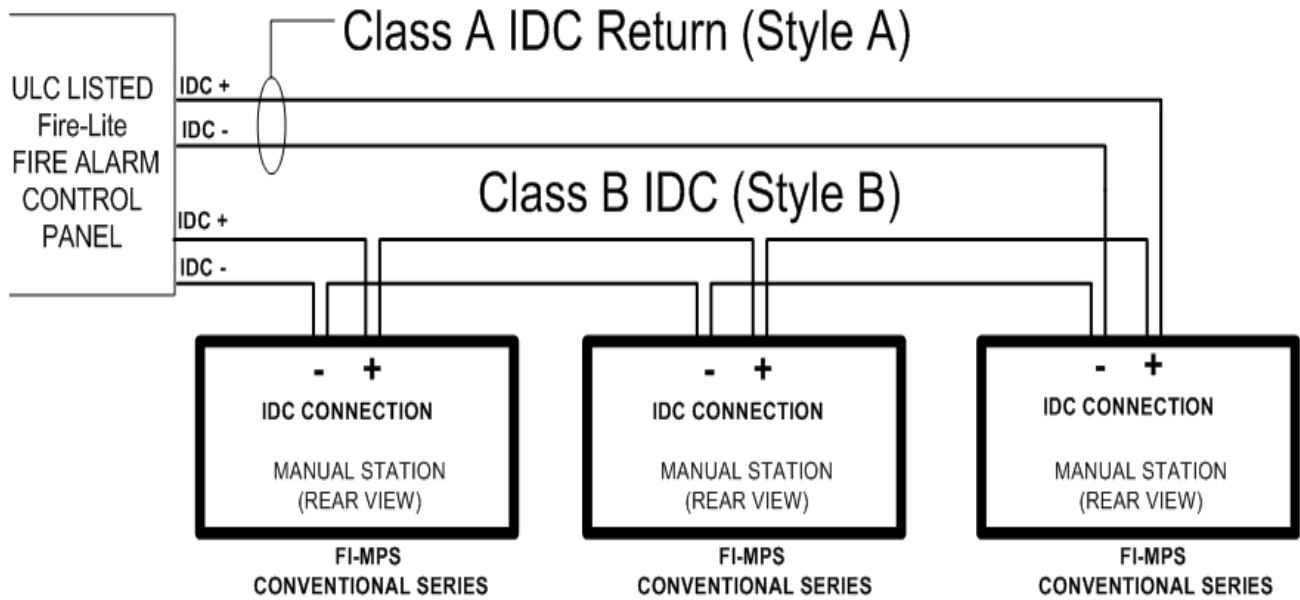


Figure 3.1.1 FI-MPS Series Addressable (DCLA and DCLB) Wiring Connections

Figure 3.1.1.1 illustrates the wiring connections using DCLC for the FI-MPS Series Addressable manual stations.

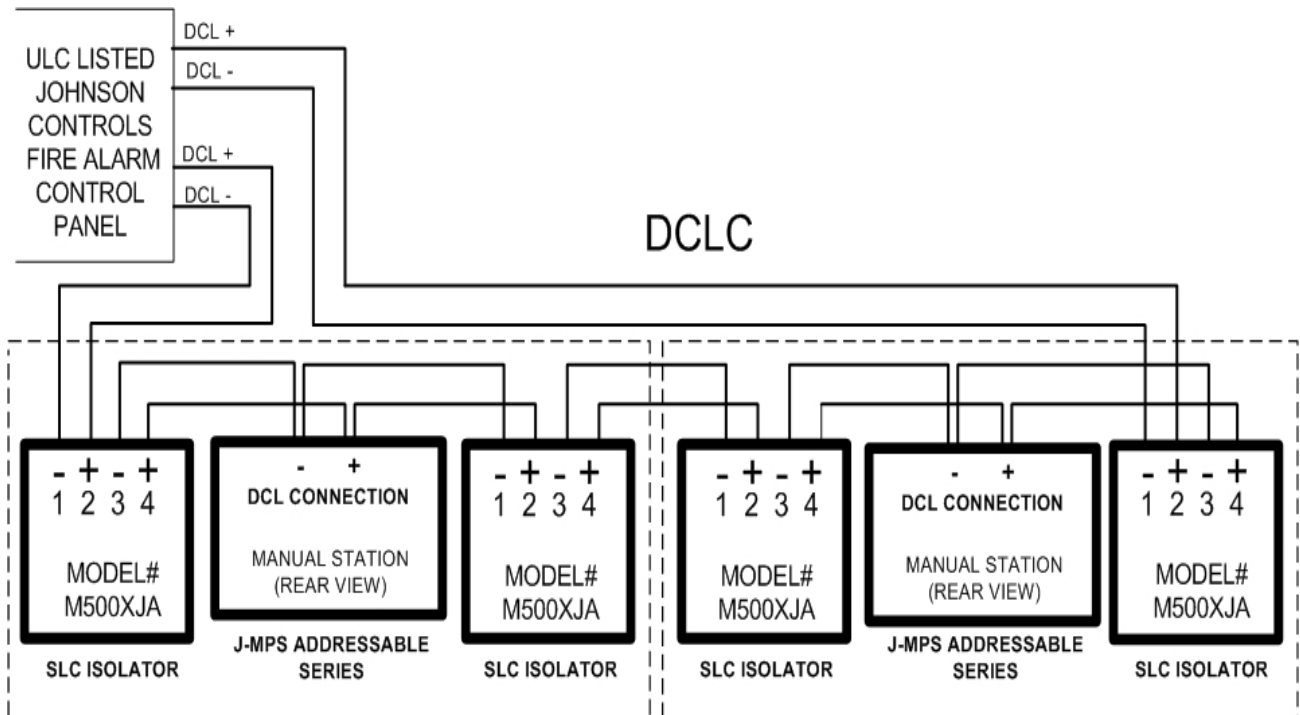


Figure 3.1.1.1 FI-MPS Series Addressable (DCLC) Wiring Connections

3.2 FI-MPS Series Conventional Manual Station Wiring Connections

Figure 3.2.1 illustrates the wiring connections using Style A and Style B for the FI-MPS Series Conventional manual stations.

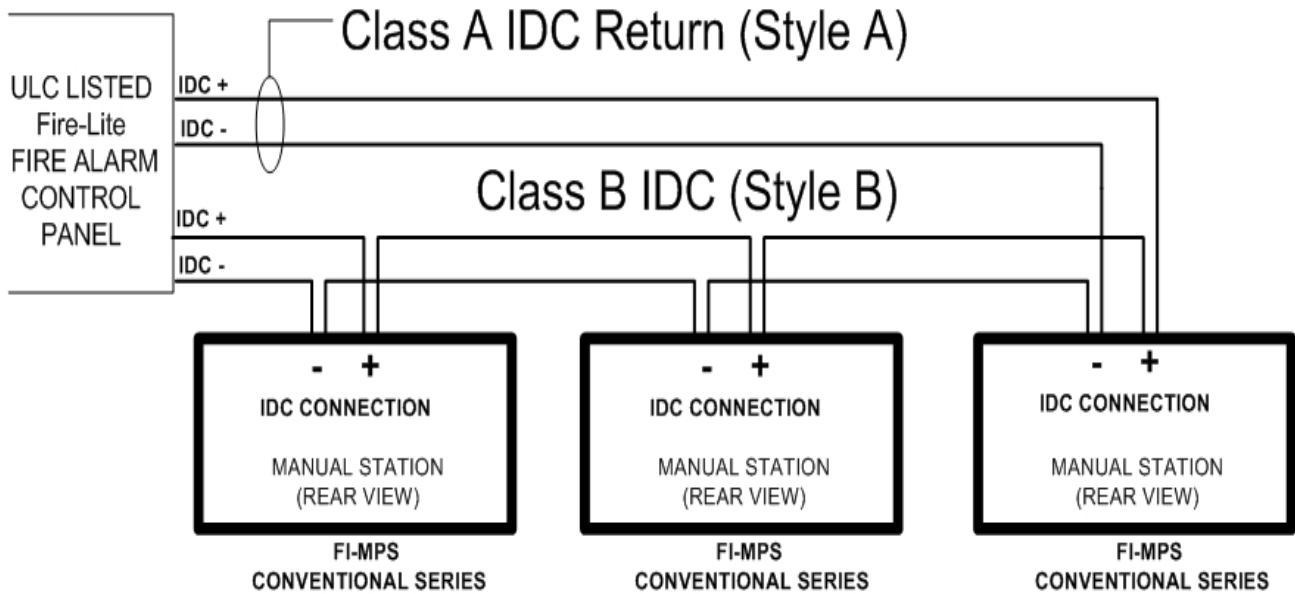


Figure 3.2.1 FI-MPS Series Conventional (Style A and Style B) Wiring Connections

3.2.1 Terminal Block Connections

Figure 3.2.1.1 illustrates the terminal block connections for the FI-MPS Series Conventional manual stations.

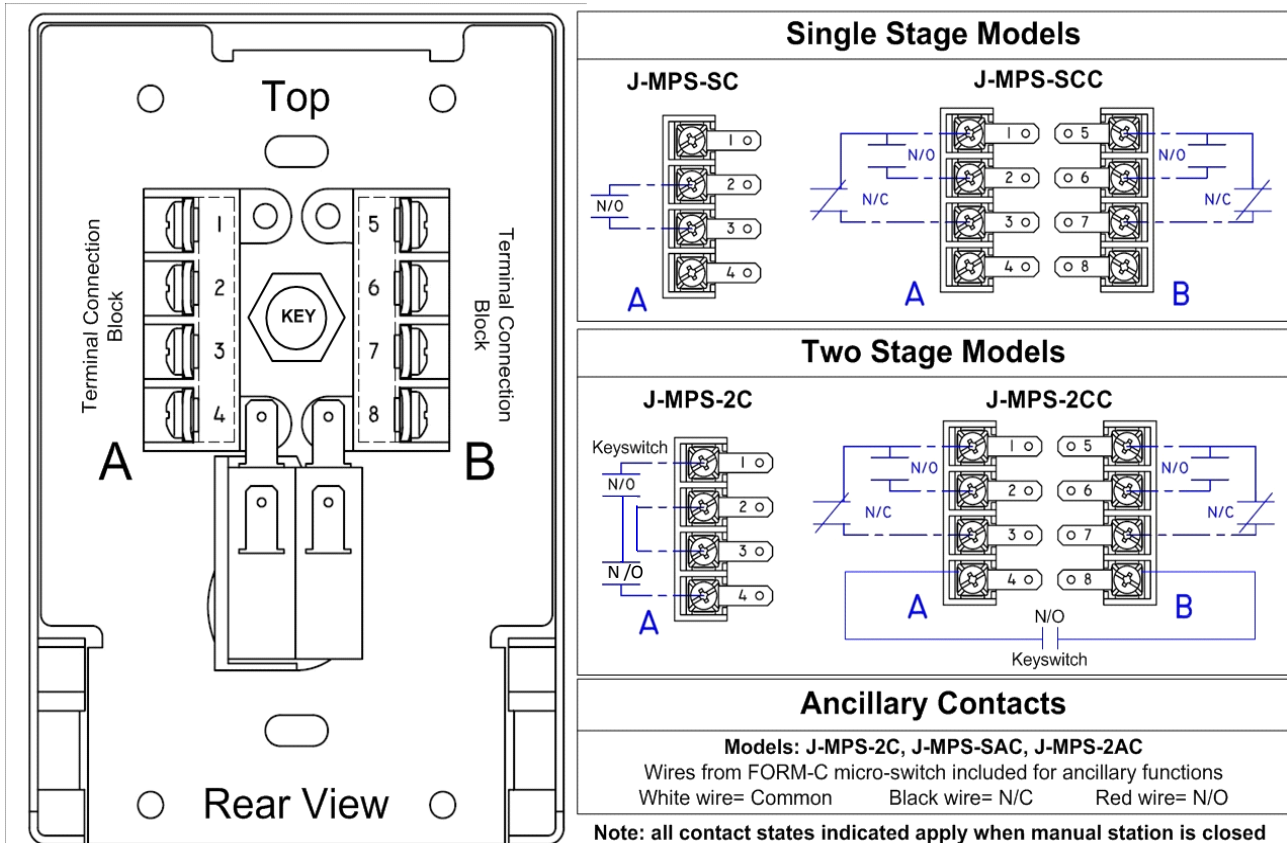


Figure 3.2.1.1 FI-MPS Series Conventional Terminal Block Connections

Section 4: Specifications

The following are the specifications for the FI-MPS-Series manual stations.

Specifications - Addressable Models

Normal Operating Voltage:	15 - 32 VDC
Maximum DCL Current:	Single-Stage 450 μ A, Two-Stage 450 μ A
Temperature Range:	32° F to 120° F (0° C to 49° C)
Humidity Range:	10% - 93% \pm RH (non-condensing)
Wiring Connections:	#18 to #14 AWG
Color:	Red with white letters, bilingual (English/French). White pull bar with red letters.
Weight:	482 grams Single-Stage version, 482 Grams Two-Stage version
Dimensions:	121 mm (H) x 82 mm (W) x 63 mm (D) 4.75" (H) x 3.22" (W) x 2.48" (D)

Specifications - Conventional Models

Maximum Applied Voltage:	32 VDC
Supply Voltage Nominal:	24 VDC
Alarm Contact Rating:	30 VDC 6 amps Resistive, 3 amps Inductive
2nd Stage Key Switch Rating:	30 VDC .75 amps Resistive
Temperature Range:	32° F to 120° F (0° C to 49° C)
Humidity Range:	10% to 93% (non-condensing)
Weight:	499 grams Single-Stage version, 567 Grams Two-Stage version
Dimensions:	121 mm (H) x 82 mm (W) x 55 mm (D) 4.75" (H) x 3.22" (W) x 2.16" (D)

ALL MODELS WITH ANCILLARY CONTACTS

Ancillary Contact Ratings

- 30 VAC 6 amps Resistive, 6 amps Inductive
- 30 VDC 6 amps Resistive, 3 amps Inductive

NOTE: Use all models indoors in a dry location.
