

MMF-301 Monitor Module Installation Instructions

Specifications

Nominal Operating Voltage:	15-32 VDC
Average Operating Current:	375 μ A (group poll); 350 μ A (direct poll); 600 μ A Max. (Communicating, IDC Shorted)
EOL resistance:	47K ohms
Maximum IDC Resistance:	1,500 Ohms
Maximum IDC Voltage:	10.1 Volts
Maximum IDC Current:	240 μ A
Temperature Range:	32° to 120° F (0° to 49° C)
Humidity:	10 to 93% non-condensing
Dimensions:	1.3" H x 2.75" W x 0.5" D
Wire length:	6" minimum

Before Installing

This information is included as a quick reference installation guide. Refer to the control panel installation manual for detailed system information. If the modules will be installed in an existing operational system, inform the operator and local authority that the system will be temporarily out of service. Disconnect power to the control panel before installing the modules.

NOTICE: This manual should be left with the owner/user of this equipment.

General Description

The MMF-301 monitor module can be installed in a single gang junction box directly behind the monitored unit. Its small size and light weight allow it to be installed without rigid mounting (see Figure 1). The MMF-301 is intended for use in intelligent, two-wire systems where the individual address of each module is selected using rotary switches. It provides a two-wire initiating circuit for normally open contact fire alarm and security devices. This module can be used to replace an M301 module in existing systems.

Compatibility Requirements

To ensure proper operation, this module should only be connected to listed compatible system control panels only.

Mounting and Wiring

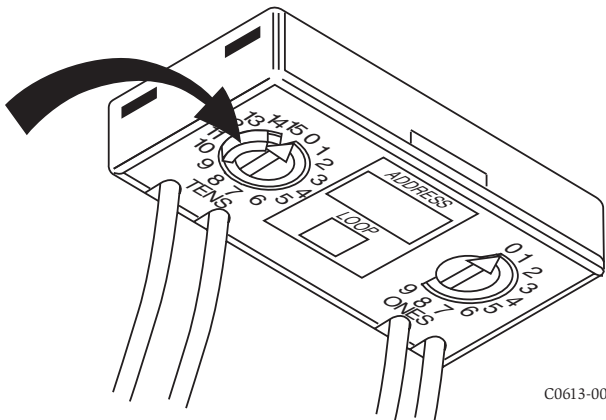
NOTE: This module is intended to be wired and mounted without rigid connections inside a standard electrical box. All wiring must conform to applicable local codes, ordinances, and regulations.

1. Connect the red (+) and black (-) wires to the positive and negative loop power leads of the Signaling Line Circuit (SLC).
2. Connect the violet (+) and yellow (-) wires to a two-wire, normally open initiating loop.
3. Install the specified EOL resistor value to terminate the initiating loop.
4. Set the address on the module per job drawings.

NOTE: Some panels support extended addressing. In order to set the module above address 99 on compatible systems, carefully remove the stop on the upper rotary switch with thumb in the direction shown in Figure 1.

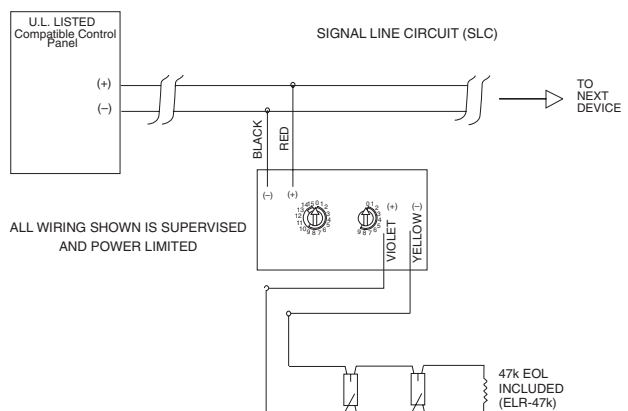
5. Install the module in the desired mounting location.

Figure 1:



C0613-00

Figure 2. Typical 2-wire style B Initiating Device Circuit (IDC) configuration:



C0710-02