

ECC-XRM-70V Transformer Product Installation Document

PN LS10032-000FL-E:A 2/1/2013 13-186

1 ECC-XRM-70V Installation Instructions

The ECC-XRM-70V converts the ECC-50/100 Emergency Command Center from a 25V system to a 70V system. The ECC-XRM-70V mounts onto the ECC-50/100 main control board and chassis. Refer to the ECC-50/100, P/N LS10001-000FL-E, for more information.

NOTE: Installation and wiring of this device must be done in accordance with NFPA 72 and local ordinances.

2 Mounting to the ECC-50/100 Main Control Board

2.1 Mounting to a System *Without* an ECC-CE6 Circuit Expander

1. Turn off AC power and disconnect batteries.
2. Remove the two (2) mounting screws from the main control board, as indicated in Figure 1, and replace with the supplied 1-9/16" long male/female standoffs.
3. Set SW5 on the ECC-50/100 main control board for 70V operation.
4. Secure transformer bracket to the main board using the two (2) screws removed in step 2 and to the chassis with two (2) supplied #8-32 keps nuts. Install using 11/32" socket.

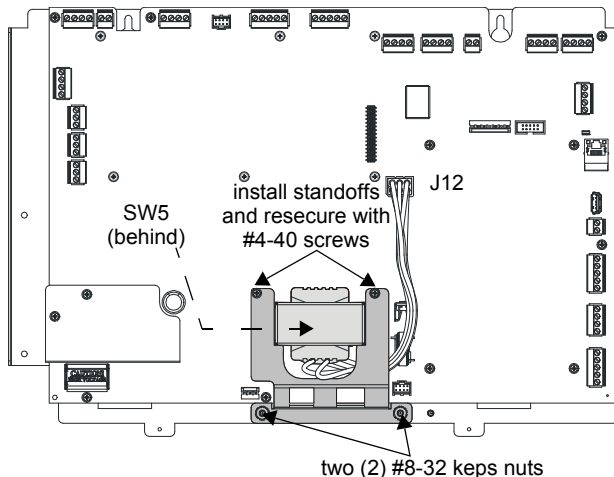


Figure 1 Installing the Transformer Bracket

2.2 Mounting to a System *With* an ECC-CE6 Circuit Expander

If the ECC-XRM-70V will be used in a system with a circuit expander, it must be mounted in conjunction with the ECC-CE6.

1. Turn off AC power and disconnect batteries.
2. Remove the two (2) mounting screws from the main control board, as indicated in Figure 1, and replace with the supplied 1-9/16" long male/female standoffs.
3. Set SW5 on the ECC-50/100 main control board for 70V operation.
4. Secure transformer bracket to the chassis using two (2) #8-32 keps nuts. Do *not* replace the two (2) #4-40 mounting screws at this time. These will be replaced in step 5.
5. Install the ECC-CE6. Refer to the *ECC-CE6 Installation Instructions*. Secure the ECC-CE6 to the transformer with the remaining two screws.

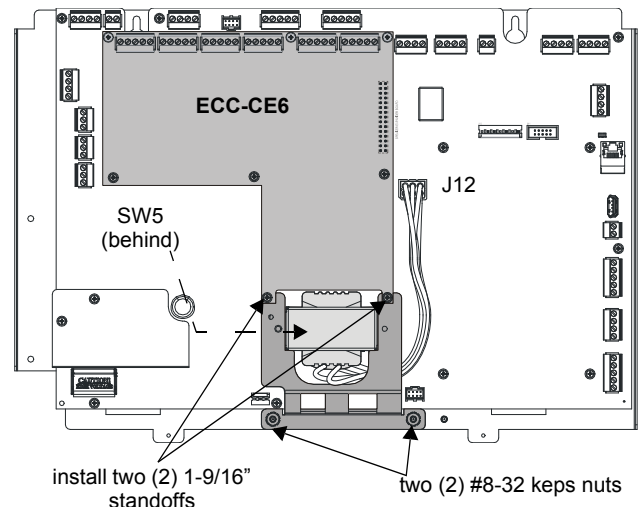


Figure 2 Mounting the Transformer/ECC-CE6

3 Wiring

1. Remove the factory-installed jumper plug from J12 on the ECC-50/100 main control board.
2. Connect the plug from the transformer to J12 on the ECC-50/100 main control board.
3. When all wiring is complete, restore AC power and reconnect batteries.