

PRN-7 Product Installation Supplement

PN LS10136-000GE-E:A 4/8/2015 15-234

1 Introduction

This supplement illustrates the procedure for installing a PRN-7 printer to a Fire Alarm Control Panel (FACP).

2 (N-)ANN-S/PG Serial/Parallel Interface Module

The PRN-7 connects to an (N-)ANN-S/PG Serial/Parallel Interface module which communicates with the FACP over the ANN-BUS.

■ Installation

1. Ensure that all power (AC and DC) has been removed from the FACP.
2. Connect the (N-)ANN-S/PG to the FACP as illustrated below.

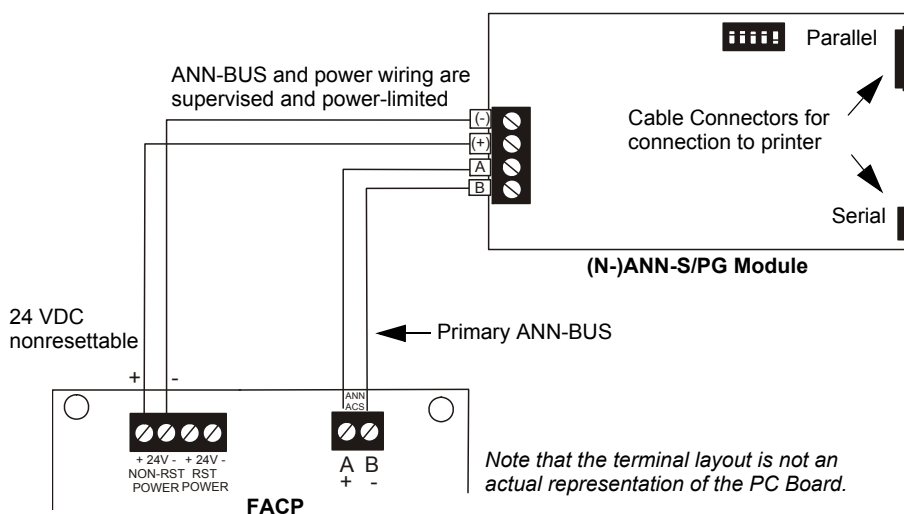


Figure 1 (N-)ANN-S/PG Connection to FACP

3. Using the DIP switches on the back of the (N-)ANN-S/PG module, assign an ID number (address) to the module.
4. Select the address and configuration options for the (N-)ANN-S/PG module as described in the Programming section of the FACP manual. Note that the Auto-configure feature allows the programmer to quickly bring all installed ANN-BUS modules online.
5. Connect the PRN-7 to the (N-)ANN-S/PG Serial connector. Only one printer can be connected.

3 Connecting a PRN-7 Printer

Remote printers require a primary AC power source. If required for the fire alarm system configuration (for example, a Proprietary Fire Alarm System), a remote printer requires a secondary power source (battery backup). Since a secondary power source is not provided as a standard feature, a separate UL-listed Uninterruptible Power Supply (UPS) should be used. The building emergency power supply may be used, as long as it meets the power continuity requirements of NFPA 72. Refer to NFPA 72 for further details.

Connect the remote printer to the FACP via the (N-)ANN-S/PG module using a standard DB-9 cable. One end of the cable will plug into the DB-9 connector on the PRN-7 printer and the other end plugs into the serial connector on the (N-)ANN-S/PG module.

■ Setting Printer Options

Refer to the documentation supplied with the PRN-7 printer for instructions on using the printer menu controls. Set the printer options (under the menu area) as shown in the following table:

Option	Setting	Option	Setting
Font	HS Draft	CPI	10CPI
LPI	6 LPI	Skip	0.5
ESC Character	ESC	Emulate	LQ-2550
Bidirectional Copy	ON	I/O	
CG-TAB	Graphic	Buffer	64K
Country	E-US ASCII	Serial	
Auto CR	OFF	Baud	9600 or 2400
Color Option	Not Installed	Format	7 Bit, Even, 1 Stop
Formien		Protocol	XON/XOFF
Lines	6LPI=60	Character Set	Standard
Standard	Exec 10.5	SI.Zero	On
Barcode	Off	Auto LF	On
Barcode	Unsecured		

Table 1 PRN-7 Setup Options

4 Compatible Panels

Panels compatible with the (N-)ANN-S/PG / PRN-7 include:

- MRP-2001(E/C)
- MRP-2002(E/C)
- MS-5/10UD(E/C)
- MS-9050UD(E/C)
- MS-9200UDLS(E/C)
- MS-9600(UD)LS(E/C)
- RP-2001(E/C)
- RP-2002(E/C)
- SFP-5/10UD(E/C)
- FireWarden-50(E/C)
- FireWarden-100-2(E/C)
- AP-542D(E/C)
- AP-542R(E/C)
- PDRP-2001(E/C)
- MX-2002(E/C)